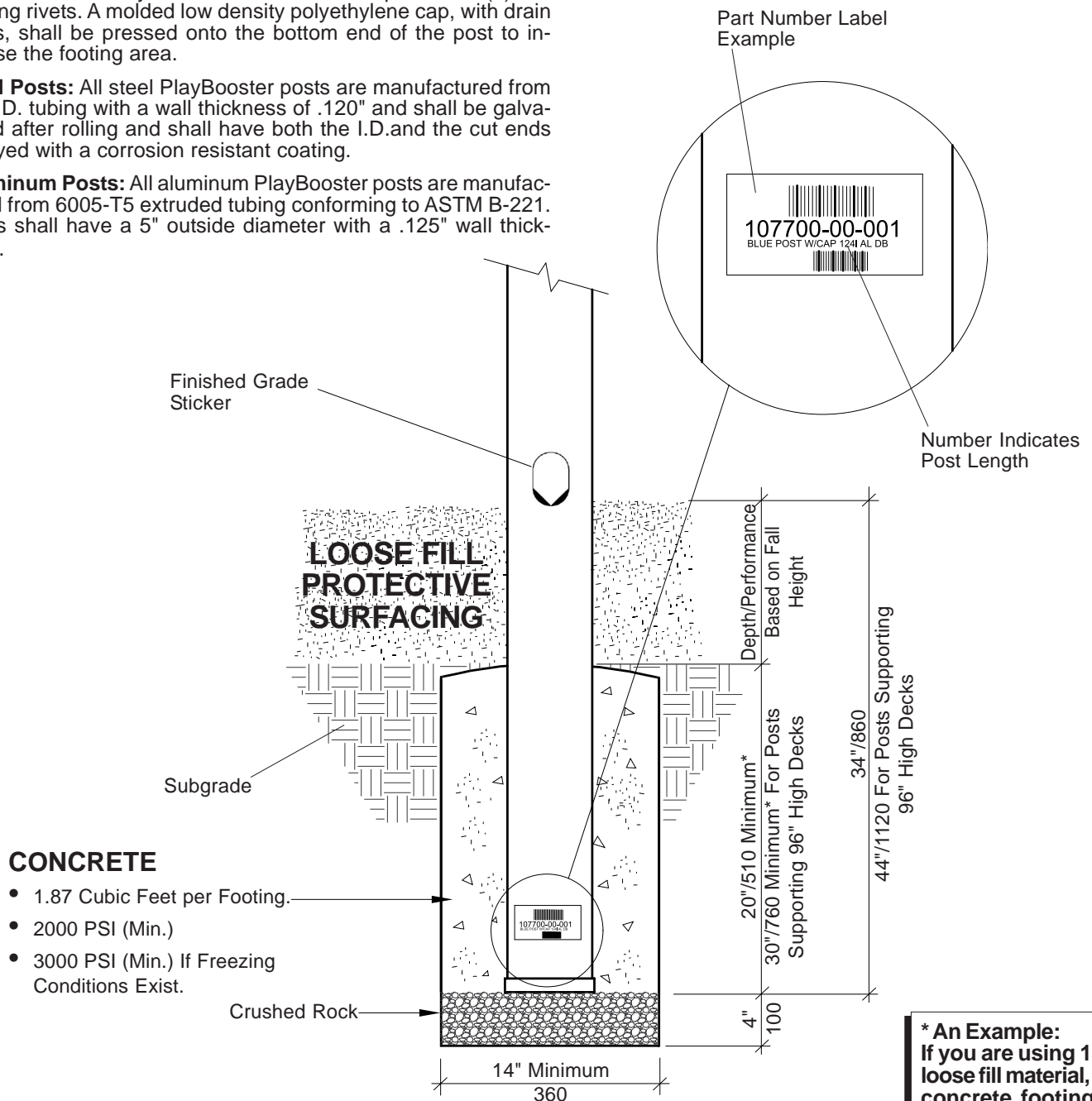


Post Specifications: Post length shall vary depending upon the intended use and shall be a minimum of 42" above the deck height. All posts shall be powdercoated to specified color. All posts shall have a "finished grade marker" positioned on the post identifying the 34" bury line (or 44" bury line for posts for 96" decks) required for correct installation and the top of the loose fill protective surfacing. Top caps for posts shall be aluminum die cast from 369.1 alloy and powdercoated to match the post color. All caps shall be factory installed and secured in place with (3) self sealing rivets. A molded low density polyethylene cap, with drain holes, shall be pressed onto the bottom end of the post to increase the footing area.

Steel Posts: All steel PlayBooster posts are manufactured from 5" O.D. tubing with a wall thickness of .120" and shall be galvanized after rolling and shall have both the I.D. and the cut ends sprayed with a corrosion resistant coating.

Aluminum Posts: All aluminum PlayBooster posts are manufactured from 6005-T5 extruded tubing conforming to ASTM B-221. Posts shall have a 5" outside diameter with a .125" wall thickness.

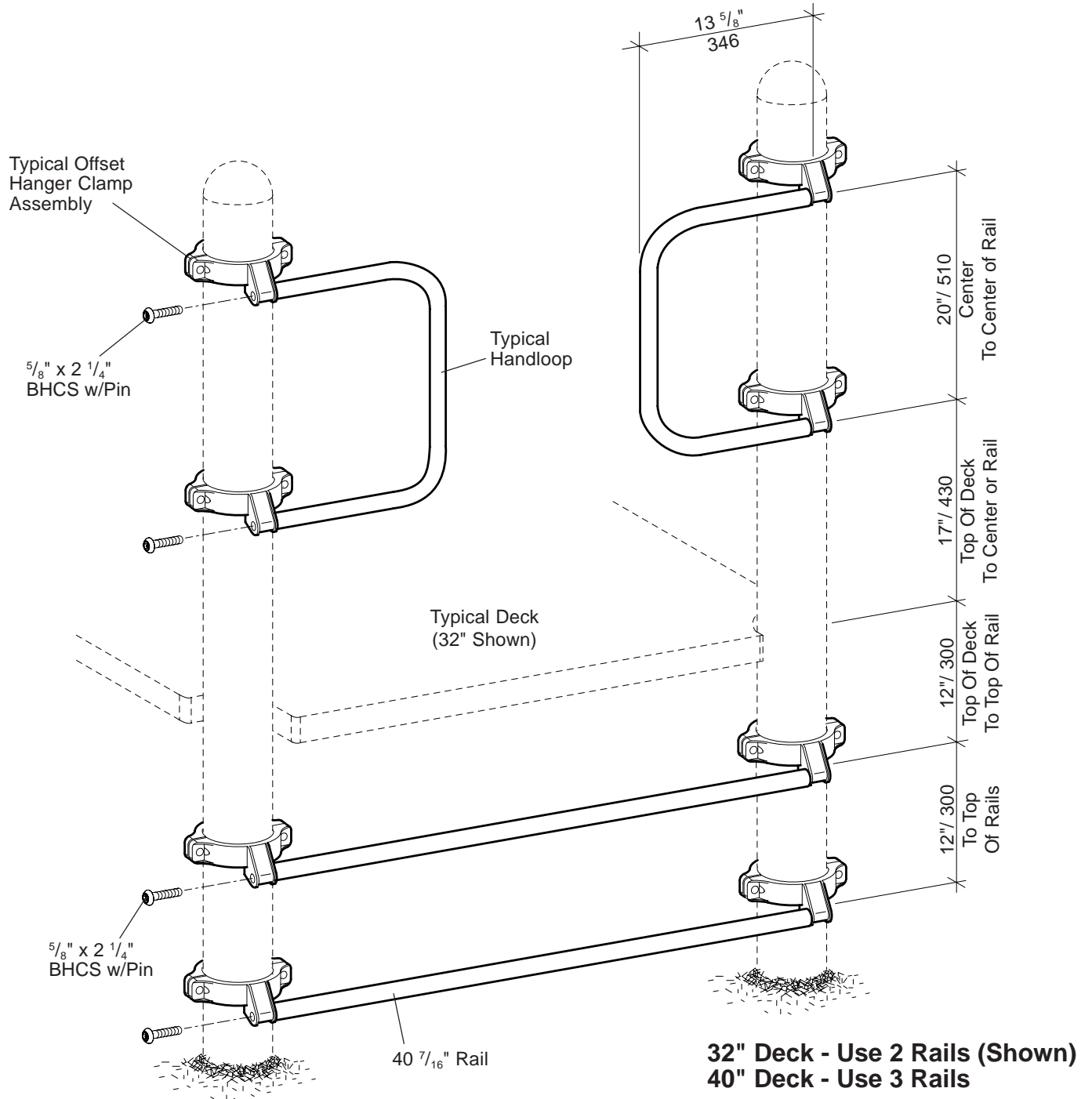


CONCRETE

- 1.87 Cubic Feet per Footing.
- 2000 PSI (Min.)
- 3000 PSI (Min.) If Freezing Conditions Exist.

*** An Example:**
If you are using 12" of loose fill material, your concrete footing will be 22" deep.

PlayBooster® Concrete Footings, 5" Posts





J:\SPECS\142\14249300.P65

PlayBooster® Rail/Handloop Assembly

Parts List

Part#	Description	Qty.
111275-00	Handloop Assembly	1
108542-00	Handloop, Specify Color	1
100198-00	$\frac{3}{8}$ " x $1 \frac{1}{8}$ " BHCS w/Pin, SST	4
100203-00	$\frac{5}{8}$ " x $2 \frac{1}{4}$ " BHCS w/Pin, SST	2
100351-00	$\frac{3}{8}$ " Tee Nut, SST	4
100610-00	$\frac{1}{4}$ " x $\frac{3}{8}$ " Drive Rivet, SST	2
105327-01	5" Half Clamp, Specify Color	2
113729-00	Offset Hanger Clamp, Specify Color	2
111276-00	Rail Assembly	1
108569-00	Rail, Specify Color	1
100198-00	$\frac{3}{8}$ " x $1 \frac{1}{8}$ " BHCS w/Pin, SST	4
100203-00	$\frac{5}{8}$ " x $2 \frac{1}{4}$ " BHCS w/Pin, SST	2
100351-00	$\frac{3}{8}$ " Tee Nut, SST	4
100610-00	$\frac{1}{4}$ " x $\frac{5}{8}$ " Drive Rivet, SST	2
105327-01	5" Half Clamp, Specify Color	2
113729-00	Offset Hanger Clamp, Specify Color	2

Specifications

Handloop: Weldment comprised of 1.125" O.D. 11 GA (.120") steel tubing with 203 or 303 stainless steel inserts, with $\frac{5}{8}$ " internal thread. Finish: TenderTuff™, color specified.

Offset Hanger Clamp Assembly: Cast aluminum. Finish: ProShield®, color specified.

Fasteners: Primary fasteners shall be socketed and pinned tamperproof in design, stainless steel (SST) per ASTM F 879 unless otherwise indicated (see specific product installation/specifications).

Installation Time: Approx. $\frac{3}{4}$ man hour

Weight: 111275-00 (One) 11 lbs.
111276-00 (One) 11 lbs.

Installation Instructions

- 1) Mark locations of clamps on posts per dimensions on front of sheet.
- 2) Attach offset clamps to ends of rails/handloops using $\frac{5}{8}$ " x $2 \frac{1}{4}$ " BHCS w/pin.
- 3) Position rail/handloop on marked position on posts and attach using 5" half clamps and $\frac{3}{8}$ " x $1 \frac{1}{8}$ " BHCS w/pin with $\frac{3}{8}$ " tee nuts. Refer to the Typical Offset Hanger Clamp Assembly Sheet.
- 4) Install drive rivets in half clamps per the Typical Offset Hanger Clamp Assembly Sheet.
- 5) Install protective surfacing before users are allowed to play on the structure.

"How to distribute your hardware *Headache Free*"



We have received feedback from you, our customers, that the most common delay in completing your playground installation is lost or misplaced hardware.

Some of our most successful installations have used a "*check-out*" system with one person appointed to distribute the various hardware packages. Installation sheets are provided for each component that indicate hardware packages/items required to assemble that component. Refer to these sheets to determine which hardware items to request from the designated "*check-out*" person.

HELPFUL HINTS:

Read installation sheets.

Be sure to use the correct length hardware as specified on the installation sheets.

Be sure to use clamps in the correct location as indicated on the installation sheets.

IMPORTANT SAFETY NOTES!

According to the U.S. Consumer Product Safety Commission (CPSC) nearly 70% of all playground injuries are caused by falls to the surface.

PLEASE INSTALL AND MAINTAIN ADEQUATE PROTECTIVE SURFACING UNDER AND AROUND YOUR PLAYSTRUCTURE!

Never let children play on the equipment before protective surfacing is installed.

Consult the CPSC's Handbook for Public Playground Safety, the ASTM F1487 Standard or your Landscape Structures representative for more information.





Look for compliance to the following guidelines and standards whenever you install playground equipment. It's your assurance that the products you install meet the most rigorous safety and quality assurance standards.

CPSC

The Consumer Products Safety Commission (CPSC) is an independent agency of the federal government whose charter is to inform the public of unreasonable risks associated with consumer products. In 1981, the CPSC published the "Handbook for Public Playground Safety" Publication number 325. The Handbook has been, and will continue to be, updated periodically and considers input from ASTM and other interested parties.

For additional information contact:

*U.S. Consumer Product Safety Commission
Washington, DC 20207*

Or visit: www.cpsc.gov

ASTM

The American Society for Testing and Materials (ASTM) is a scientific and technical organization that is a major developer of standards for testing different types of materials and products. ASTM develops standards through a consensus process.

In 1993, the ASTM published the "Standard Consumer Safety Performance Specifications for Playground Equipment for Public Use" designation F1487-93. ASTM contains more technical requirements than the CPSC Handbook 325 and is primarily intended for use by equipment manufacturers, architects, designers and others who require more technical information. The standard has been, and will continue to be, updated periodically.

For additional information contact:

*American Society for Testing and Materials
100 Barr Harbor Dr.
West Conshohocken, PA 19428*

Or visit: www.astm.org



Landscape Structures is a member in good standing of IPEMA, the International Play Equipment Manufacturers Association. IPEMA is a member-driven international trade organization which represents and promotes an open market for manufacturers of play equipment.

For additional information contact:

*International Play Equipment Manufacturers Association
8300 Colesville Road, Suite 250
Silver Spring, MD 20910*

Or visit: www.ipema.org



In the interest of public playground safety, IPEMA provides a 3rd Party Certification service whereby a designated independent laboratory validates a manufacturer's certification of conformance to the ASTM F1487, Standard Consumer Safety Performance Specification for Playground Equipment for Public Use, standard.

The use of the seal in Landscape Structures documentation signifies that Landscape Structures has received written validation from the independent laboratory that the product associated with the use of the seal conforms with the requirements of ASTM F1487. All PlayBooster, PlayOdyssey, PlayShaper, Evos and Independent Playthings shown in the current Landscape Structures catalog, and covered under the scope of ASTM F1487, unless otherwise noted, have been validated by the independent laboratory.

To see a detailed list of IPEMA Certified products visit: www.ipema.org



A Global Perspective



DIN 7926 CONFORMANCE

All new and existing products have been tested to be in conformance to the current draft of the European standard EN1176, Parts 1-6. Virtually all of the products shown in the current Landscape Structures catalog have been certified to be in conformance with the European Standard EN1176, Parts 1-6. TUV Product Service, Danvers, Massachusetts, is the certifying engineering agency for Landscapes Structures products.

CSA

In 1990 the Canadian Standards Association (CSA) published the first edition of Standard CAN/CSA-Z614, Guideline on Children's Play Spaces and Equipment. The standard has been, and will continue to be, updated periodically. Most of Landscape Structures products conform to Standard CAN/CSA-Z614.

For additional information contact:

Canadian Standards Association
5060 Spectrum Way
Mississauga, Ontario
L4W 5N6
CANADA

Or visit: www.csa.ca

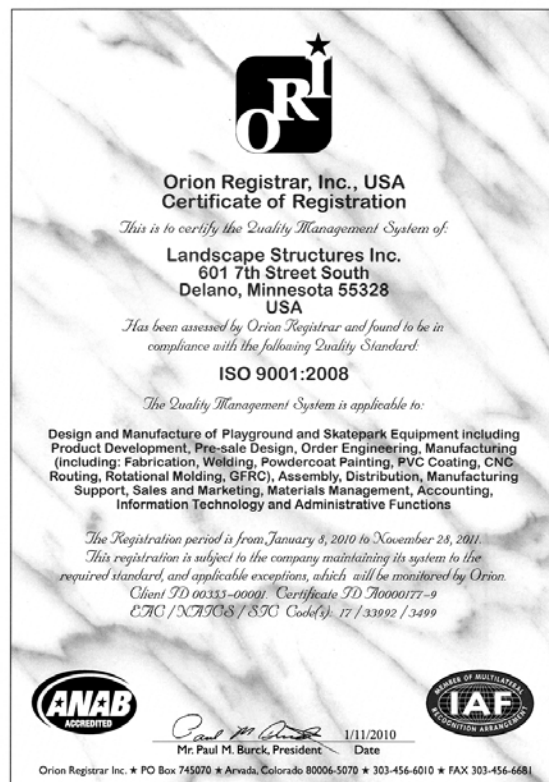


ISO 14001:2004 is an Environmental tools and systems Management Program. This level of certification establishes the highest level of corporate commitment to the prevention of pollution and fosters a cultural change toward environmental management practices.



ISO 9001:2008 involves the most rigorous standards possible in the ISO 9000 family of standards. ISO 9001 certification combines with our documented safety requirements from ASTM, CPSC, and ADA.

ISO 9000 is a framework for conducting business procedures in a way meant to ensure that companies conduct the highest caliber of work possible. ISO means "equal" in Greek, and ISO 9000 standards give the international marketplace a common or equal standard on which to judge quality in manufacturing processes, not quality in products.



Thank you for selecting Landscape Structures for your park and playground equipment. Landscape Structures takes great pride in assuring that your shipment was effectively packaged and complete. Smaller parts may be individually packaged or nested with larger parts. Here is a checklist to follow when unloading and unpacking your shipment.

At Time Of Delivery (before the driver leaves)

- The quantity of shipping units should be compared to the shipping unit quantities shown on the bill of lading. If they do not match, note the discrepancy on the driver's copy of the bill of lading before signing (see reverse side for an example of a bill of lading).
- Inspect each piece of equipment for signs of damage (i.e. torn packaging, punctures, etc.). Freight damage notations should be listed on the bill of lading and communicated to the driver with as much detail as possible in order to avoid controversy at a later date should a claim be necessary.
- Make sure all shipping units you receive are actually addressed to you as trucks may carry multiple shipments.

Post Delivery Inspection

- Each piece of equipment should be checked off against your packing list and placed in a secure area until you're ready to begin installation. If for some reason you are missing equipment, please contact your Landscape Structures sales representative (see reverse side for an example of a packing list).
- When inspecting, please try to minimize the amount of tearing of the packaging and do not dispose of packaging materials/labels until installation is complete. The information on the packaging labels may be needed in the event that the manufacturer needs to be contacted.
- If concealed damage is found, please contact your Landscape Structures sales representative within 15 days from the time of delivery to protect your rights as the consignee.



This is where your Playstructure was manufactured

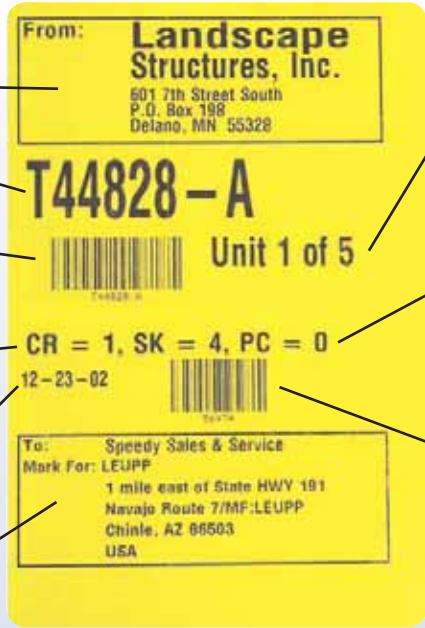
Your Sales Order number

A barcode representing your Sales Order Number

This tells you what shipping unit this label is for. In this case there is one crate.

This is the date your Order was prepared for shipping.

This box will have the name and address of where this shipment was delivered.



Total number of units in your shipment. In this case there are a total of 5 crates, skids and/or pieces. This is the 1st of those units.

This line tells you the exact number of each type of container in your shipment. CR stands for Crates or Cartons, SK stands for Skids or Pallets and PC stands for Pieces. This shipment has 1 crate, 4 skids and no pieces.

This is a unique identifier for this container. With this number we are able to determine when it was prepared for shipping, who prepared it and at what time it was prepared.

***Ship Unit Codes:**
 S=Skid
 P=Piece
 C=Crate

The Shipping Label above will be on all of the Skids, Pieces and Crates shipped to you*.

BACK-ORDER

If you see a label like this on the Shiplist, it means that we have not sent everything. The products(s) we did not include will be indicated on the Shiplist with the word "Backordered" next to it. Your Sales Representative will be able to give you more information.

Sample Master Packing List

landscape structures™

Master Packing List - T00000
Page 4

Cust. PO: 1868

Customer Information		Installation Location Information	
PlayBooster Park 111 East Locust Street Your Town, USA		PlayBooster Park 111 East Locust Street Your Town, USA	

Units prepared for shipping by smmith at 07:47 on 01/27/2005

Ship Qty	Part Number	Description	Container ID
1	139573-00-000	HDW WIGGLE LADR 40DK PB	T74622-B-P1
1	139738-00-023	HORIZ LADR 84 PB STR	T74622-B-S1
1	139819-00-000	HDW BLOCK CLMR 32DK PB	T74622-B-P1
1	139892-00-000	HDW LOOP LADDER TD PB	T74622-B-P2
1	140432-00-023	VERT LADR END SPRT DB	T74622-B-S1
2	140664-00-044	INFILL PNL XFER MOD PB/PV	T74622-B-S2
4	141765-00-000	CHN 3/16 P30 X 29-7/8I	T74622-B-P1
1	142386-00-002	2-BLOCK BLK CLMR BRN	T74622-B-S2
2	142386-00-044	2-BLOCK BLK CLMR TAN	T74622-B-S2
2	142387-00-044	LEG BLOCK CLMR DB TAN	T74622-B-S1
1	142389-00-044	GUSSET BLOCK CLMR PNT TAN	T74622-B-C1
1	144579-00-044	STORE PANEL SET PB/PV	T74622-B-S2
4	145656-00-002	SQ DECK PB	T74622-B-S3
3	145658-00-002	TRI DK PB 90 DEG PVC	T74622-B-S3
2	145661-00-002	SQ DECK EXT PB	T74622-B-S3
1	145662-00-002	SQ DECK CORNER PB	T74622-B-S3
4	146007-00-000	BIT 5/16 6-LOBE T-45 TAMP	T74622-B-P1
4	146017-00-000	KEY 5/16I 6-LOBE T-45	T74622-B-P1
2	146168-00-000	HDW TALK TUBE COVER	T74622-B-P1
2	146344-00-023	TALK TUBE STD @ GRD PNT	T74622-B-S1
1	148628-00-000	HDW STEERING WHL BARRIER	T74622-B-P2
1	T74622+B-99	Installation Instructions	T74622-B-C1

Sample Bill of Lading



- Thoroughly unpack all parts and display for easy identification.
- Arrange individual hardware packages and assign one person to be responsible for distributing hardware during installation. Do not mix or borrow hardware from other packages. Verify hardware sizes and types to the individual specification/instruction sheets.
- Is the hardware crate completely empty? Many times there are multiple layers of parts in the crate. Clamps and hardware may be found underneath protective layers of cardboard.
- Was the shipment broken down during unloading or storage? Were parts stored in different locations?
- If a part appears to be missing, check the shiplist in case there are backordered parts prior to contacting your Landscape Structures sales rep (see reverse side for an example of a backorder notification).

If you indeed have a problem with missing, broken or incorrect parts, please contact your Landscape Structures sales representative. Note some of the following information to expedite the processing of your request...

- Identify the sales order number for your order and provide it to your sales representative.
- Was the part lost or damaged during shipment? Was the bill of lading signed for as damaged or was the damage discovered later?
- Was the part lost or damaged during installation?
- Did you receive a part different than what you ordered?
Wrong color?
Wrong quantity?
- Was the item labeled properly?
- Inform the sales rep of the information on the shipping label (see reverse side for an example of a shipping label).



This is where your Playstructure was manufactured

Your Sales Order number

A barcode representing your Sales Order Number

This tells you what shipping unit this label is for. In this case there is one crate.

This is the date your Order was prepared for shipping.

This box will have the name and address of where this shipment was delivered.

Total number of units in your shipment. In this case there are a total of 5 crates, skids and/or pieces. This is the 1st of those units.

This line tells you the exact number of each type of container in your shipment. CR stands for Crates or Cartons, SK stands for Skids or Pallets and PC stands for Pieces. This shipment has 1 crate, 4 skids and no pieces.

This is a unique identifier for this container. With this number we are able to determine when it was prepared for shipping, who prepared it and at what time it was prepared.

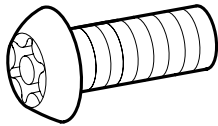
BACK-ORDER

If you see a label like this on the Shiplist, it means that we have not sent everything. The products(s) we did not include will be indicated on the Shiplist with the word "Backordered" next to it. Your Sales Representative will be able to give you more information.



Common Parts & Fasteners

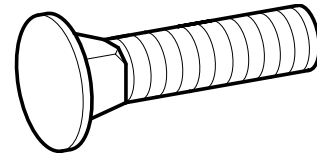
Button Head Cap Screws BHCS w/Pin



Part #	Sizes		Mat'l or Grade	Recommended Torque	
	Inches	mm		Ft./lbs	Kgm
137277-00	1/4" x 3/8"	(6,4 x 9,5)	SST-PAT	10	1.4
131849-00	5/16" x 1/2"	(7,9 x 12,7)	SST-PAT	10	1.4
132626-00	5/16" x 7/8"	(7,9 x 22,2)	SST-PAT	10	1.4
100195-00	3/8" x 5/8"	(9,5 x 15,9)	SST-PAT	15	2
100196-00	3/8" x 7/8"	(9,5 x 22,2)	SST-PAT	15	2
100198-00	3/8" x 1 1/8"	(9,5 x 28,6)	SST-PAT	15	2
113027-00	3/8" x 1 3/8"	(9,5 x 34,9)	SST-PAT	15	2
100171-00	3/8" x 1 1/2"	(9,5 x 38,1)	SST-PAT	15	2
123224-00	3/8" x 1 11/16"	(9,5 x 42,9)	SST-PAT	15	2
100173-00	3/8" x 2"	(9,5 x 50,8)	SST-PAT	15	2
100199-00	3/8" x 2 1/4"	(9,5 x 57,2)	SST-PAT	15	2
100174-00	3/8" x 2 1/2"	(9,5 x 63,5)	SST-PAT	15	2
100175-00	3/8" x 2 3/4"	(9,5 x 69,9)	SST-PAT	15	2
100176-00	3/8" x 3"	(9,5 x 76,2)	SST-PAT	15	2
100168-00	3/8" x 3 1/4"	(9,5 x 82,6)	SST-PAT	15	2
100200-00	3/8" x 3 1/2"	(9,5 x 88,9)	SST-PAT	15	2
124460-00	3/8" x 3 3/4"	(9,5 x 95,2)	SST-PAT	15	2
100201-00	5/8" x 1 1/2"	(15,9 x 38,1)	SST-PAT	50	7
127551-00	5/8" x 1 1/2"	(15,9 x 38,1)	SST-PAT	50	7
100203-00	5/8" x 2 1/4"	(15,9 x 57,2)	SST-PAT	50	7

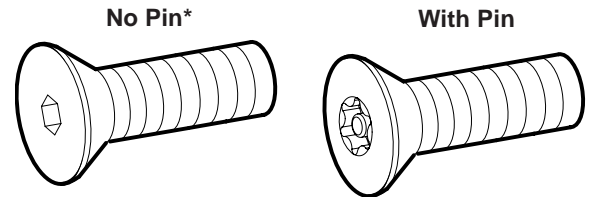
ANTI-SIEZE

Carriage Bolts



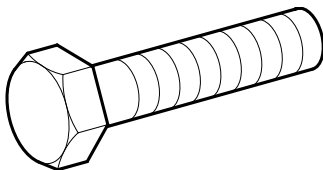
Part #	Sizes		Mat'l or Grade	Recommended Torque	
	Inches	mm		Ft./lbs	Kgm
100135-00	5/16" x 1 1/4"	(7,9 x 31,8)	SST-PAT	5	0.7
100147-00	3/8" x 1 1/4"	(9,5 x 31,8)	SST-PAT	15	2
116017-00	3/8" x 1 1/2"	(9,5 x 38,1)	SST-PAT	15	2
100148-00	3/8" x 1 3/4"	(9,5 x 44,5)	SST-PAT	15	2

Flat Head Cap Screws (FHCS)



Part #	Sizes		Mat'l or Grade	Recommended Torque	
	Inches	mm		Ft./lbs	Kgm
148686-00	3/8" x 3/4"	(9,5 x 19,05)	SST-PAT	13	1.8
100252-00*	3/8" x 1 1/4"	(9,5 x 31,8)	SST-PAT	13	1.8
151421-00	3/8" x 1 1/2"	(9,5 x 38,1)	SST-PAT	13	1.8
148765-00	3/8" x 3 1/2"	(9,5 x 88,9)	SST-PAT	13	1.8
130824-00*	1/2" x 2 1/4"	(12,5 x 57,2)	SST	20	2.8

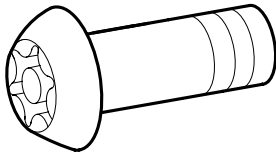
Hex Cap Screws



Part #	Sizes		Mat'l or Grade	Recommended Torque	
	Inches	mm		Ft./lbs	Kgm
100206-00	3/8" x 1"	(9,5 x 25,4)	SST-PAT	15	2
100208-00	3/8" x 1 1/2"	(9,5 x 38,1)	SST-PAT	15	2
100209-00	3/8" x 1 3/4"	(9,5 x 44,4)	SST-PAT	15	2
135682-00	3/8" x 3 1/8"	(9,5 x 79,3)	SST-PAT	15	2
135683-00	3/8" x 4 5/8"	(9,5 x 117,5)	SST	15	2
100214-00	3/8" x 5"	(9,5 x 127)	SST-PAT	15	2
121499-00	7/16" x 1 3/4"	(11,1 x 114,3)	SST-PAT	15	2
100216-00	1/2" x 1 1/4"	(12,7 x 31,7)	SST	15	2
131862-00	1/2" x 2 1/4"	(12,7 x 57,1)	SST-PAT	20	2.8

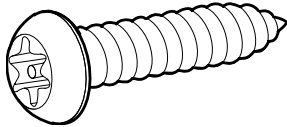
NOTE: These are recommended torque applications per fastener size. When fasteners are used with plastic or wood products, the torque specifications will be excessive and we recommend that the installer apply some caution when tightening the fasteners. Plastic or wood products should begin to deform slightly. Fasteners indicated with -"Pat" includes a locking patch type material and should cure for 72 hours for maximum strength.

BHCS w/Pin Limited Thread Bolts



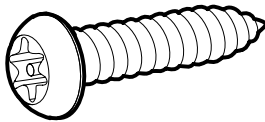
Part #	Sizes		Mat'l or Grade	Recommended Torque	
	Inches	mm		Ft./lbs	Kgm
100290-00	3/8" x 7/8"	(9,5 x 22,2)	SST-PAT	21	3
100292-00	3/8" x 1 1/4"	(9,5 x 31,8)	SST-PAT	21	3
157704-00	7/16" x 2"	(11,11x 51)	SST-PAT	40	5.5
127068-00	7/16" x 2 7/16"	(11,11x61,91)	SST-PAT	40	5.5

Lag Screws



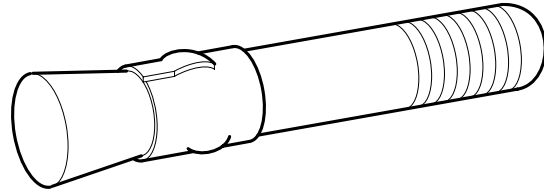
Part #	Sizes		Mat'l or Grade	Head Type
	Inches	mm		
100127-00	5/16" x 1 1/4"	(7,9 x 31,8)	SST	Hex Head
168198-00	3/8" x 1 1/2"	(9,5 x 38,1)	SST	Button Head (Shown)
139039-00	3/8" x 2"	(9,5 x 50,8)	SST	Button Head (Shown)

Screw, Type AB Thread BHCS w/Pin



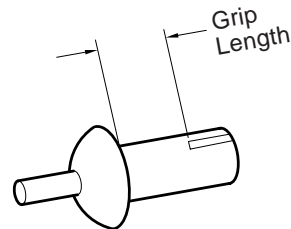
Part #	Size	Mat'l or Grade
129671-00	#14 x 1/2"	SST
127872-00	#14 x 3/4"	SST
136232-00	#14 x 1"	SST
129672-00	#14 x 1 1/4"	SST

Expansion Anchors (Used To Secure Components To Concrete Slabs)



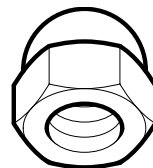
Part #	Sizes		Mat'l or Grade	Recommended Torque	
	Inches	mm		Ft./lbs	Kgm
100263-00	3/8" x 2 3/4"	(9,5 x 69,9)	Alloy Steel	15	2
100266-00	1/2" x 2 3/4"	(12,7 x 69,9)	Alloy Steel	20	2.8

Drive Rivets



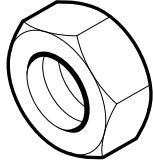
Part #	Sizes		Mat'l
	Inches	mm	
100609-00	1/4" x 3/16"	(6,4 x 4,8)	Alum Rivet/Alum Pin
100611-00	1/4" x 3/8"	(6,4 x 9,5)	Alum Rivet/SST Pin
113300-00	1/4" x 1/2"	(6,4 x 12,7)	Alum Rivet/Alum Pin
100610-00	1/4" x 5/8"	(6,4 x 15,9)	Alum Rivet/SST Pin
139152-00	1/4" x 3/4"	(6,4 x 19,05)	Alum Rivet/Alum Pin
100613-00	1/4" x 7/8"	(6,4 x 22,2)	Alum Rivet/Alum Pin
118158-00	1/4" x 1"	(6,4 x 25,4)	Alum Rivet/Alum Pin

Low Crown Cap Nut



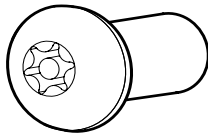
Part #	Size Inches	Mat'l
100349-00	3/8" -16 UNC	SST

Standard Hex Nuts



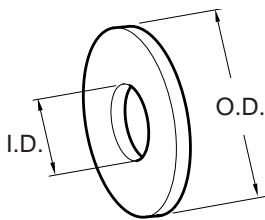
Part #	Sizes Inches	Mat'l or Grade
100326-00	5/16-18 UNC	SST
100321-00	3/8-16 UNC	SST-Pat
100327-00	3/8-16 UNC	SST
128296-00	3/8-16 UNC (Jam Nut)	SST
100328-00	7/16-14 UNC	SST
145021-00	7/16-14 UNC (Jam Nut)	SST
100322-00	1/2-13 UNC	SST-Pat
129692-00	1/2-13 UNC	SST-Pat
129693-00	1/2-13 UNC (Jam Nut)	SST
100323-00	5/8-11 UNC	SST

Flange Nut w/Pin



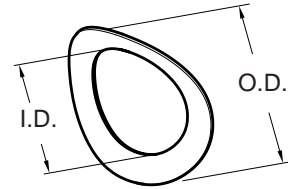
Part #	Sizes Inches	Mat'l or Grade
100353-00	3/8-16 UNC	SST

Flat Washers



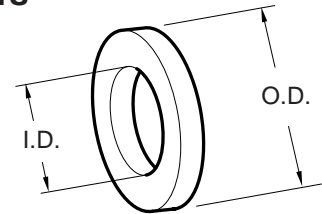
Part #	Sizes Inches	mm	or Grade	I.D.	O.D.
122039-00	1/4"	(6,3)	SST	0.312	.734
100362-00	3/8"	(9,5)	SST	0.406	1.002
112793-00	7/16"	(11,1)	SST	0.505	1.262
100363-00	1/2"	(12,7)	SST	0.536	1.262
100366-00	5/8"	(15,9)	SST	0.688	1.750
123737-00	1 1/8"	(28,6)	SST	1.140	1.750

Curved Spring Washer



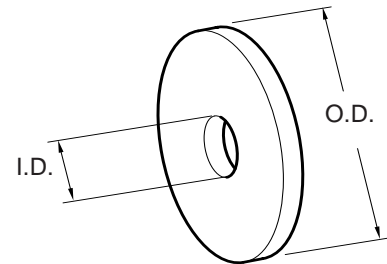
Part #	Sizes Inches	mm	Mat'l or Grade	I.D.	O.D.
100380-00	1/2"	(12,7)	SST	0.531	0.795

SAE Flat Washers



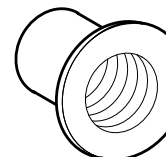
Part #	Sizes Inches	mm	Mat'l or Grade	I.D.	O.D.
100364-00	1/4"	(6,35)	SST	0.281	0.625
100365-00	3/8"	(9,5)	SST	0.411	0.816
113550-00	1/2"	(12,7)	SST	0.531	1.062
129500-00	5/8"	(15,9)	SST	0.686	1.342

Fender Washers



Part #	Sizes Inches	mm	Mat'l or Grade	I.D.	O.D.
100378-00	3/8" x 1 1/2"	(9,53 x 38,1)	SST	0.406	1.500
100379-00	1/2" x 2"	(12,7 x 50,8)	SST	0.531	2.000

Tee Nut (PlayBooster Clamps)



Part #	Sizes Inches	Mat'l or Grade
100351-00	3/8-16 UNC	SST

Set Screw



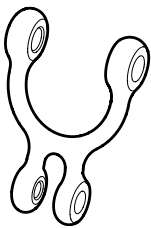
Part #	Sizes		Mat'l or Grade
	Inches	mm	
100298-00	$\frac{3}{8}$ " x $\frac{7}{16}$ "	(9,5 x 11,1)	SST

Bolt Link



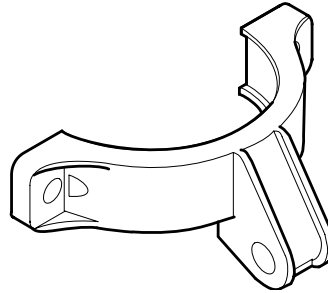
Part #	Mat'l or Grade
138915-00	SST

Double Clevis



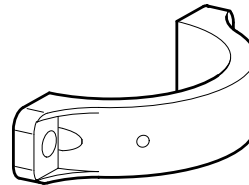
Part #	Mat'l or Grade
138917-00	SST

Offset Hanger Clamp (PlayBooster)



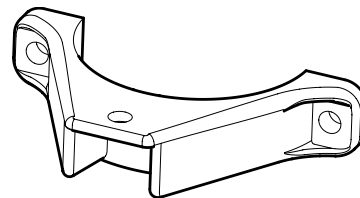
Part #	Mat'l
113729-00	Cast Aluminum

Half Clamp (PlayBooster)



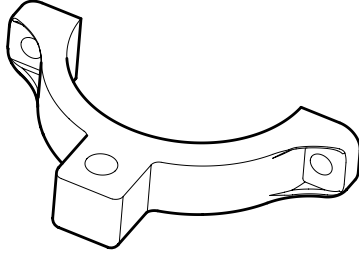
Part #	Mat'l
105327-01	Cast Aluminum

Deck Hanger Clamp (PlayBooster)



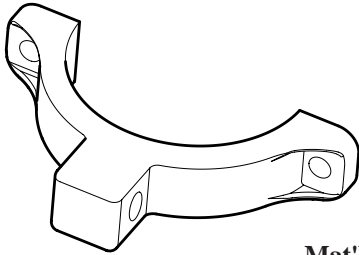
Part #	Mat'l
106022-00	Cast Aluminum

Swing Hanger Clamp



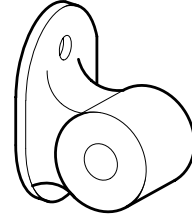
Part #	Mat'l
121289-00	Cast Aluminum

Ring/Rail Hanger Clamp (PlayBooster)



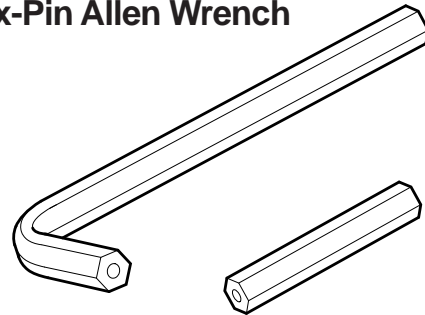
Part #	Mat'l
105330-00	Cast Aluminum

Offset Bolt Bracket (PlayShaper)



Part #	Mat'l
113895-00	Cast Aluminum

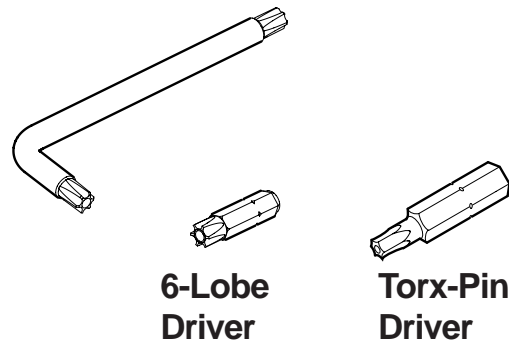
Hex-Pin Allen Wrench



Hex-Pin Driver

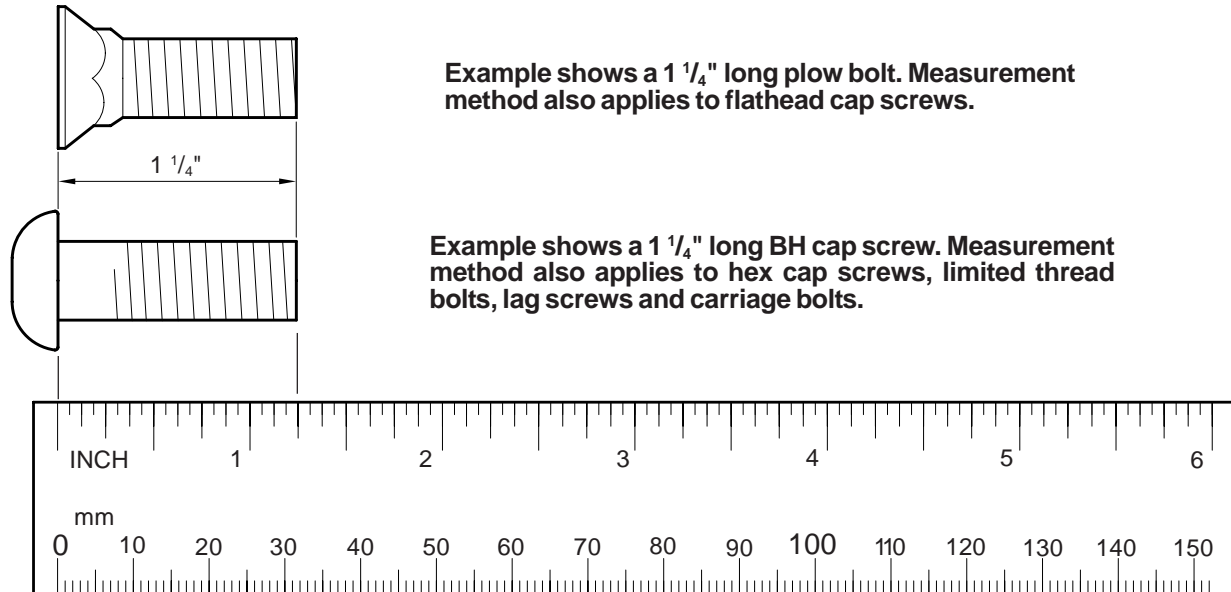
Part #	Description
100685-00	Hex-Pin Allen Wrench
100686-00	Hex-Pin Driver (Used With A 5/16" Socket)

6-Lobe Wrench



Part #	Description
146017-00	6-Lobe Wrench (T-45)
146007-00	6-Lobe Driver (T-45) (Used With A 5/16" Socket)
127463-00	Torx-Pin Driver (T-27) (Used With A 1/4" Socket)

HOW TO DETERMINE BOLT LENGTHS



Rule: Measurements should be based on the part of the screw that penetrates the surface.

Warning

Your playground may include equipment containing moving parts. Moving parts are more vulnerable to wear, mis-use and abuse than other non-moving parts. It is critical these parts be inspected and maintained according to our recommendations.

As the owner, it is your responsibility to perform preventative maintenance and record your findings. Failure to do so may create a hazard and cause serious injury or death.

Did you know that most of the packaging materials you receive on a Landscape Structures order are recyclable? Do you reuse or recycle everything you can from your playground sites? We're making it easier for you to do the right thing and keep these materials out of landfills!

FOAM/SCRIM SHEETS

Landscape Structures has partnered with our supplier to recycle foam/scrim material, the grey and white sheets that are layered between the large painted parts. This material is not usually accepted at general recycling facilities but this supplier will re-use it in their manufacturing of new packaging materials. It's easy! Just put the foam/scrim from your installation site in a box and ship it to the facility closest to you.

Here is a list of participating facilities throughout the U.S.:

Foam/Scrim Products Only

Pregis Plant
159 N San Antonio Ave.
Pomona, CA 91767

Pregis Plant
8201 W Elwin Ct.
Visalia, CA 93291

Pregis Plant
7574 Presidents Dr.
Orlando, FL 32809

Pregis Plant
1411 Pidco Dr.
Plymouth, IN 46563

Pregis Plant
300 Harris Rd.
Wurtland, KY 41144

Pregis Plant
3825 N Main St.
Granite Falls, NC 28630

Pregis Plant
18 Peck Ave.
Glens Falls, NY 12801

Pregis Plant
3500 S Highway 287
Corsicana, TX 75109

Pregis Plant
310 Old Station Rd.
Wenatchee, WA 98801

Foam/Scrim, Plastic Banding, Shrink Wrap

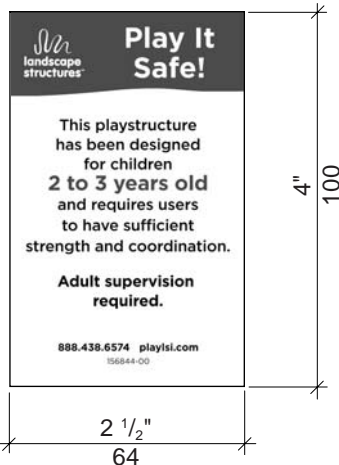
Anchor Facility
480 Broadway St.
St Paul, MN 55101

Anchor Facility
1501 Swasey Rd.
Hudson, WI 54016

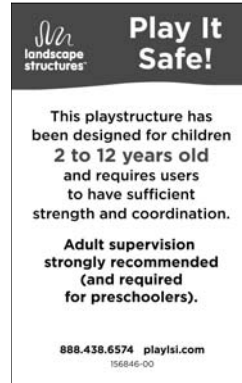
Don't stop here! Most of the other packaging materials can also be recycled, reused or repurposed.

- **CORRUGATED CARDBOARD:** Boxes can be broken down and recycled at a local recycler, or reused for other storage.
- **SHRINK WRAP:** Contact your local plastic recycler and ask if they accept polyethylene plastic.
- **PLASTIC BANDING:** Contact your local plastic recycler and ask if they accept polypropylene.

If you have suggestions for recycling, reusing or repurposing other materials, please email them to: info@playlsi.com. Just one more way Landscape Structures is building healthy, sustainable communities.



Part No. 156844-00-000



Part No. 156846-00-000



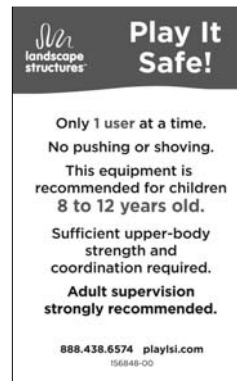
Part No. 115176-00-000



Part No. 156850-00-000



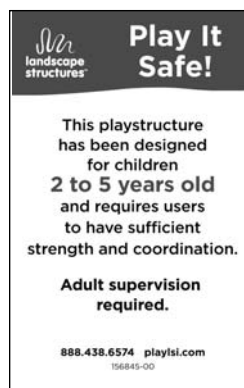
Part No. 166815-00-000



Part No. 156848-00-000



Part No. 156847-00-000

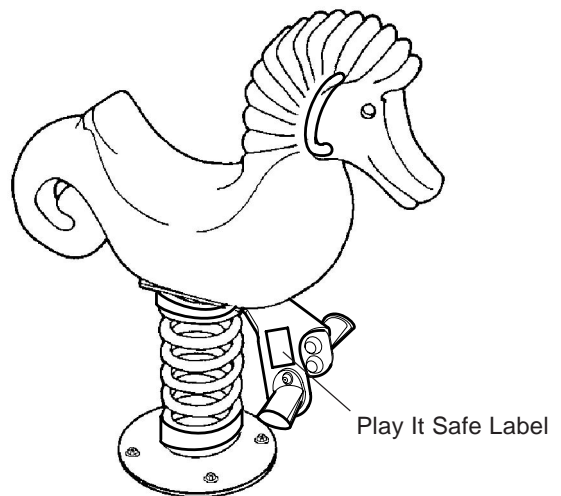
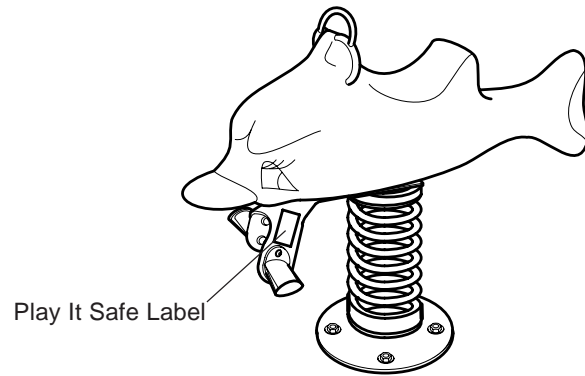
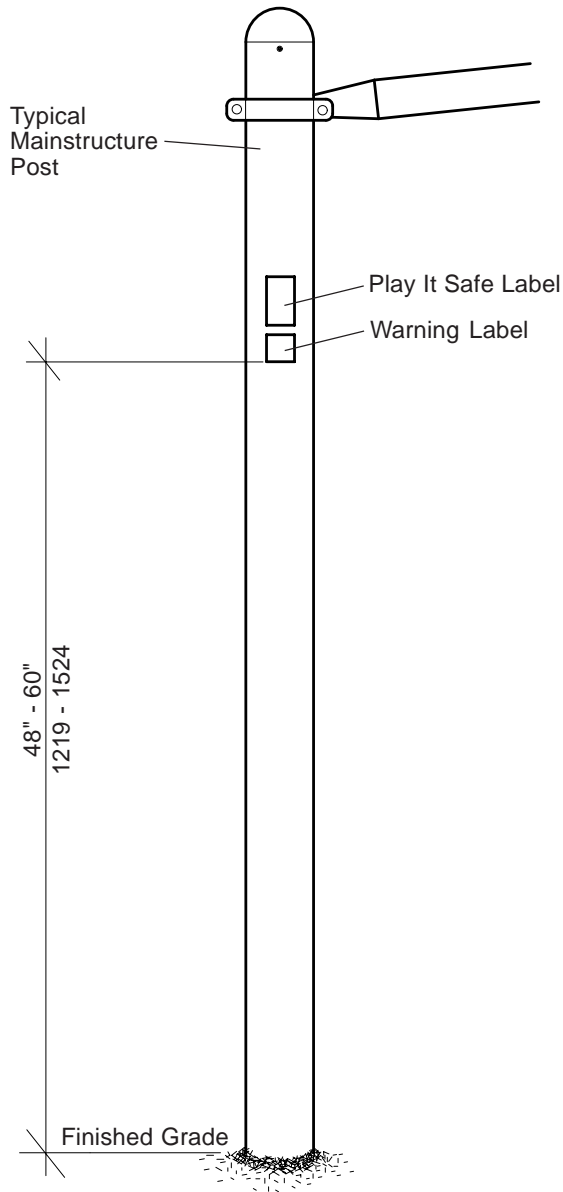


Part No. 156845-00-000

NOTE: The Playstructure design will determine which *Play It Safe* sticker will be supplied.

INSTRUCTIONS:

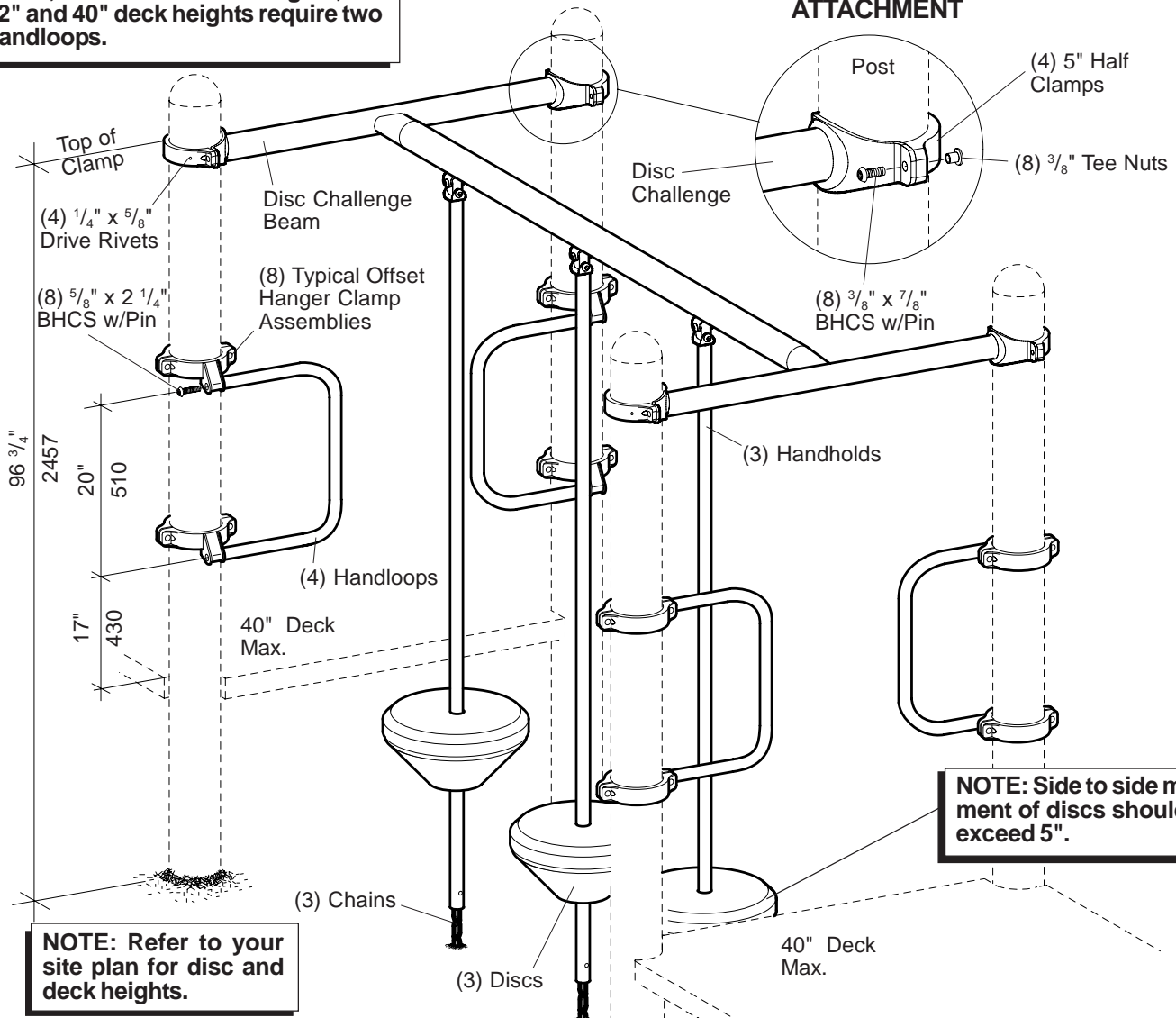
Surface must be clean and dry prior to applying sticker. Peel backing sheet away from back of sticker and place sticker in position. Using backing sheet, rub over face of sticker to burnish down into place. Choose a location visible to adults in a conspicuous location on product. Stickers work best on painted parts. Do not place on rotationally-molded plastic parts, TenderTuff-coated parts or where children may step and wear off sticker. This applies to both Independent Play items and Composite Playstructures. Apply sticker adjacent to or visible from the primary entrance to the structure. Apply 4'-5' above the surface. Apply at least (1) one to every structure and (2) two to large composite playstructures.



PB/PS/FP/Evos/Weevos Warning Labels

NOTE: One handloop is required for the 8", 16" and 24" deck heights, the 32" and 40" deck heights require two handloops.

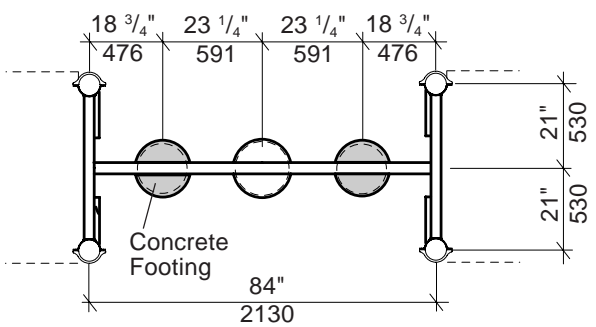
**DETAIL
DISC CHALLENGE BEAM
ATTACHMENT**



NOTE: Refer to your site plan for disc and deck heights.

NOTE: Side to side movement of discs should not exceed 5".

PLAN VIEW/FOOTING LAYOUT

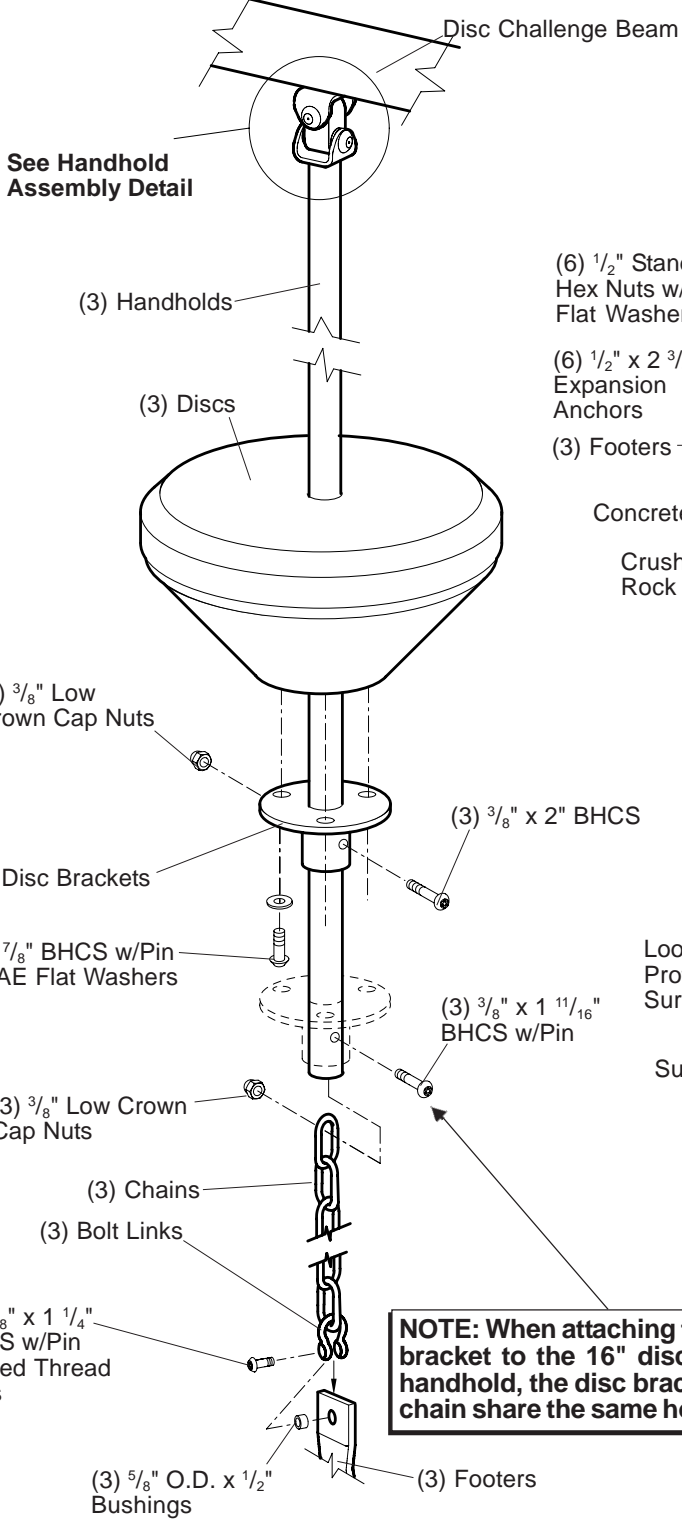


- (2) Primary Color
- (1) Secondary Color

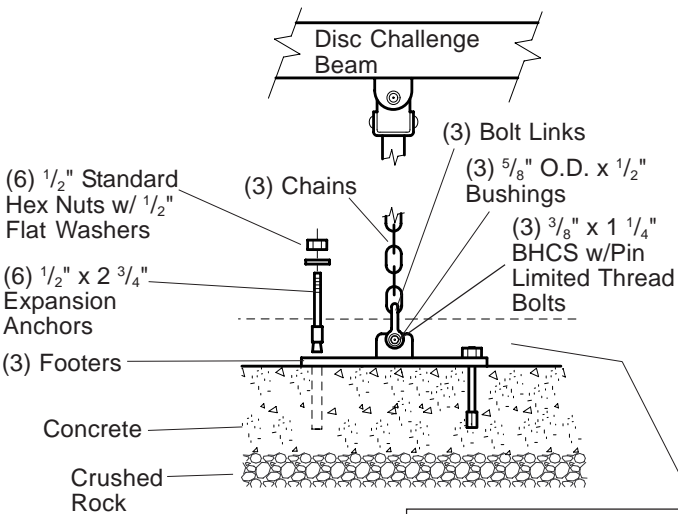
SAFETY NOTE
 Choose a protective surfacing material that has a Critical Height Value of at least the height of the Highest Accessible Part/Fall Height of the adjacent equipment. (Ref. ASTM F1487.)

186142a

**DETAIL
 DISC ASSEMBLY**

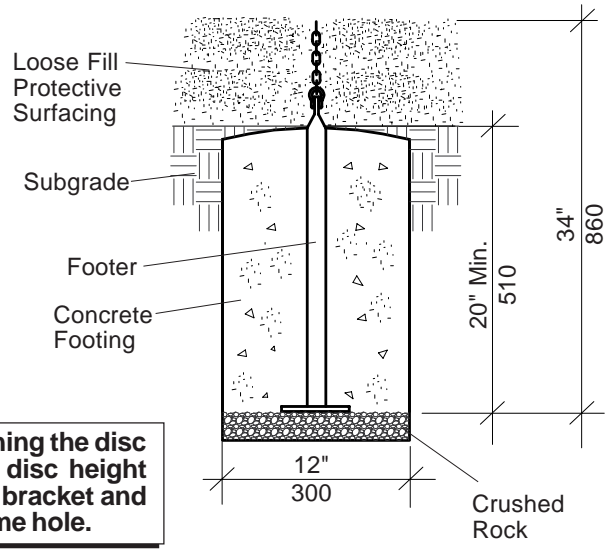


**DETAIL
 SURFACE MOUNT**



NOTE: Sufficient protective surfacing must cover hardware to satisfy fall height requirements.

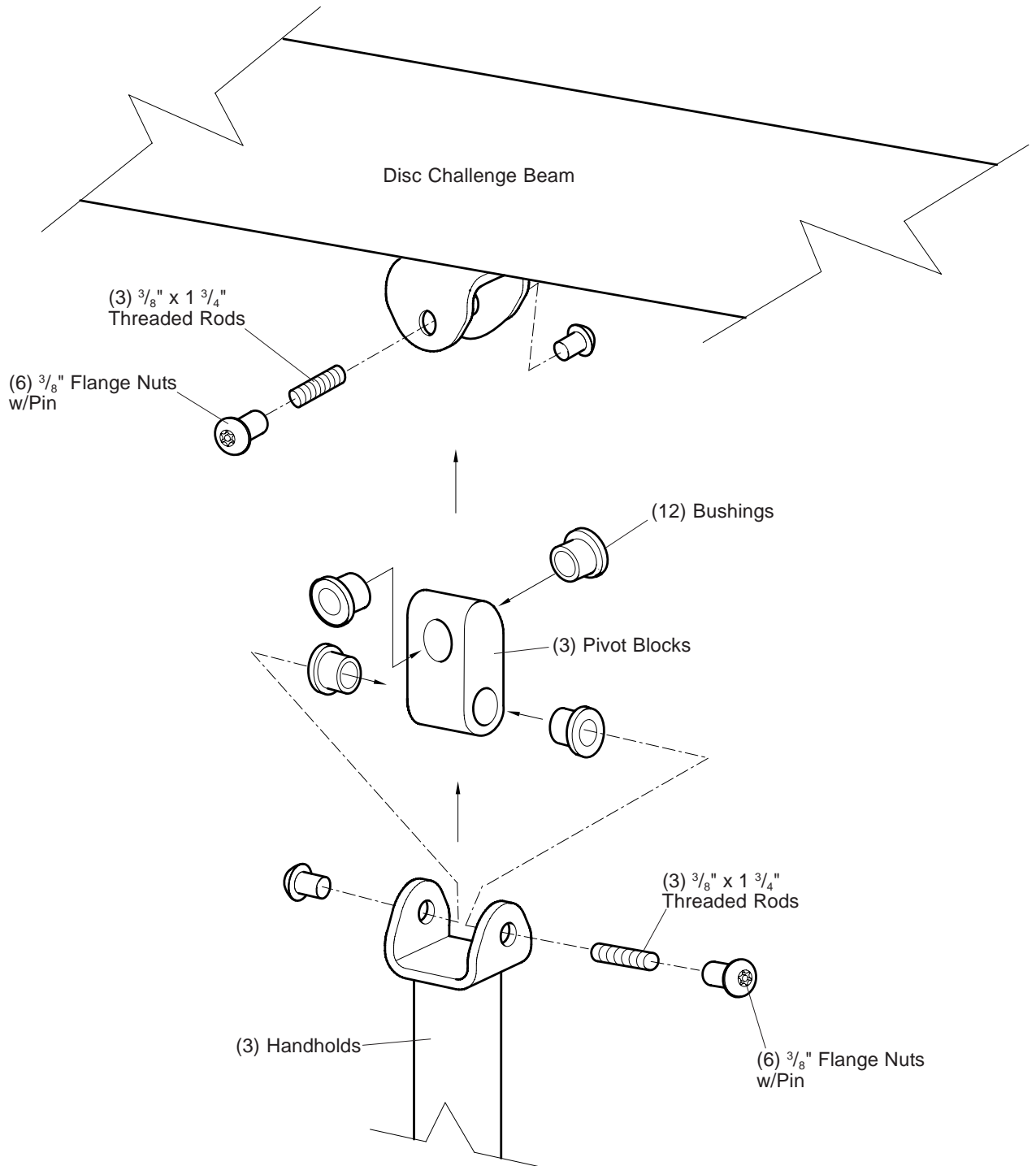
**DETAIL
 DIRECT BURY**



NOTE: When attaching the disc bracket to the 16" disc height handhold, the disc bracket and chain share the same hole.

PlayBooster® 165573 Disc Challenge, 84" w/Handloops

**DETAIL
HANDHOLD ASSEMBLY**





J:\SPECS\186\18613500.P65

PlayBooster® 165573 Disc Challenge, 84" w/Handloops

Parts List

Part#	Description	Qty.
145950-00	Disc Challenge Beam 84", Specify Color	1
126956-00	Primary Disc, Specify Color	2
186128-00	Secondary Disc, Specify Color	1
120668-00	Disc Bracket, Specify Color	3
135304-00	Pivot Block	3
105327-01	5" Half Clamp, Specify Color	*
136721-00	Chain (SM)	3
132980-00	Chain (DB)	3
186343-00	Footer (SM), Specify Color	3
186342-00	Footer (DB), Specify Color	3
132369-00	Handhold (16" Disc), Specify Color	*
132370-00	Handhold (24" Disc), Specify Color	*
132371-00	Handhold (32" Disc), Specify Color	*
100610-00	1/4" x 3/8" Drive Rivet, AL/SST	4
113729-00	5" Offset Rail Hanger Clamp, Specify Color	*
108542-00	Handloop, Specify Color	*
114309-00	Handloop Hardware Package	*
100198-00	3/8" x 1 1/8" BHCS w/Pin, SST	4
100203-00	5/8" x 2 1/4" BHCS w/Pin, SST	2
100351-00	3/8" Tee Nut, SST	4
100610-00	1/4" x 3/8" Drive Rivet, SST	2
149233-00	Horizontal Ladder, Hardware Package	1
100196-00	3/8" x 7/8" BHCS w/Pin, SST	8
100351-00	3/8" Tee Nut, SST	8
186345-00	Disc Challenge Hardware Package	1
100173-00	3/8" x 2" BHCS, SST	3
100196-00	3/8" x 7/8" BHCS w/Pin, SST	9
100292-00	3/8" x 1 1/4" BHCS w/Pin Ltd. Thread Bolt, SST	3
100349-00	3/8" Low Crown Cap Nut, SST	6
100353-00	3/8" Flange Nut w/Pin, SST	12
100365-00	3/8" SAE Flat Washer, SST	9
138915-00	Bolt Link, SST	3
123224-00	3/8" x 1 11/16" BHCS w/Pin, SST	3
135302-00	Bushing	12
135723-00	3/8" x 1 3/4" Threaded Rod, SST	6
156962-00	5/8" O.D. x 1/2" Bushing	3
111392-00	2-Hole (SM) Hardware Package	3
100266-00	1/2" x 2 3/4" Expansion Anchor	6
100322-00	1/2" Standard Hex Nut, SST	6
100363-00	1/2" Flat Washer, SST	6

* = To Be Determined By Your Order

DB = Direct Bury

SM = Surface Mount

Specifications

Beam: Weldment comprised of 2.875" O.D. RS40 (.160" - .170") galvanized steel tubing, and 1/4" HRPO flat steel. Finish: ProShield®, color specified.

Disc: Rotationally molded from U.V. stabilized linear low density polyethylene, disc measures 14" in diameter x 7" high, color specified.

Disc Brackets: Weldment comprised of 1.660" O.D. RS20 (.085 - .095") galvanized steel tubing and 3/16" x 5" diameter plate. Finish: ProShield, color specified.

Chain: Steel 1/4" straight link chain, 3,150 lb. working load limit. Finish: Peer Gold.

Handhold: Weldment comprised of 1.315" O.D. RS20 (.080" - .090") galvanized steel tubing and 3/16" x 1 1/2" steel clevis. Finish: ProShield, color specified.

Handloop: Weldment comprised of 1.125" O.D. 11 GA (.120") steel tubing with 203 or 303 stainless steel inserts, with 5/8" internal thread. Finish: TenderTuff™, color specified.

Footer: Weldment comprised of 1.660" (42,16 mm) O.D. RS-40 (.111" - .121") (2,81 mm-3,07 mm) galvanized steel tubing and 1" x 5" x 1/4" (25 mm x 127 mm x 6,35 mm) flat steel. Finish: ProShield, color specified.

Clamp: Cast aluminum. Finish: ProShield, color specified.

Fasteners: Primary fasteners shall be socketed and pinned tamperproof in design, stainless steel (SST) per ASTM F 879 unless otherwise indicated (see specific product installation/specifications).

Installation Time: SM - Approx. 6 man hours

DB - Approx. 8 man hours

Concrete Req.: Approx. 3.9 cu. ft.

Weight: 136 lbs. (with 2 Handloops)

146 lbs. (with 3 Handloops)

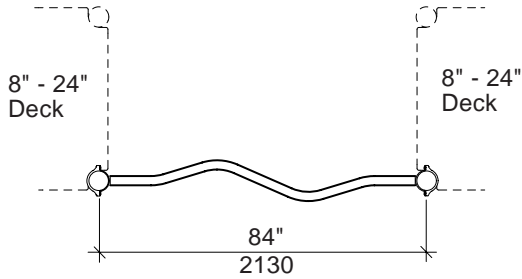
156 lbs. (with 4 Handloops)

Fall Height: Maximum fall height equals highest deck or disc height.

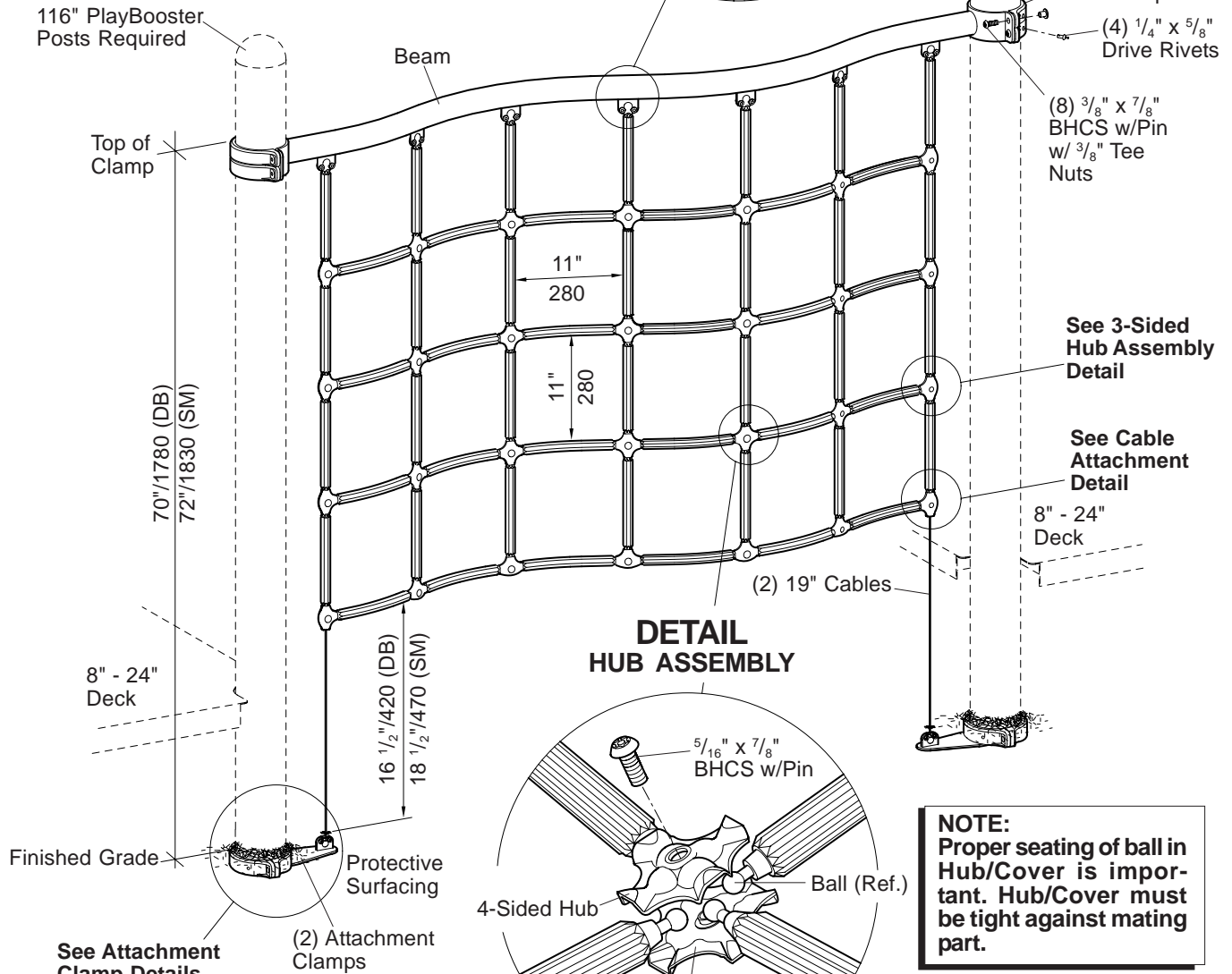
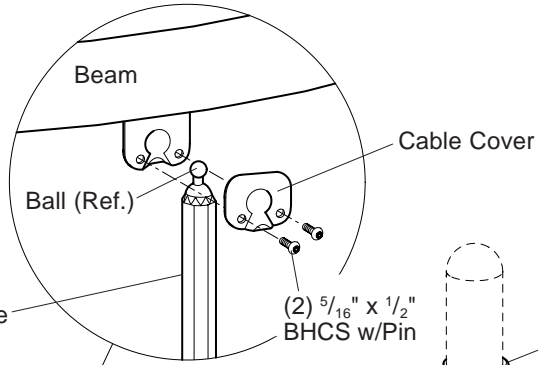
Installation Instructions

- 1) **(Direct Bury)** Dig footings as shown.
- 2) Attach offset clamps to ends of handloops using $\frac{5}{8}$ " x $2\frac{1}{4}$ " BHCS w/pin. Attach handloops to posts at height shown, using 5" half clamps and $\frac{3}{8}$ " x $1\frac{1}{8}$ " BHCS w/pin with $\frac{3}{8}$ " tee nuts. Refer to the Typical Offset Hanger Clamp Assembly Sheet. **NOTE:** *One handloop is required for the 8", 16" and 24" deck heights, the 32" and 40" deck heights require two handloops.*
- 3) Mark posts for the appropriate height of the beam you are installing.
- 4) Lift disc challenge beam into position and attach to posts using 5" half clamps with $\frac{3}{8}$ " x $\frac{7}{8}$ " BHCS w/pin and $\frac{3}{8}$ " tee nuts. Refer to the Beam Attachment Detail.
- 5) Attach the handholds to the disc challenge beam using bushings, pivot blocks, $\frac{3}{8}$ " x $1\frac{3}{4}$ " threaded rods and $\frac{3}{8}$ " flange nuts w/pin. Refer to the Handhold Assembly Detail. **NOTE:** *Refer to your site plan for disc and deck heights. Deck heights will vary.*
- 6) Attach discs to disc brackets using $\frac{3}{8}$ " x $\frac{7}{8}$ " BHCS w/pin with $\frac{3}{8}$ " SAE flat washers. Refer to the Disc Assembly Detail.
- 7) Attach the disc brackets to the handholds using $\frac{3}{8}$ " x 2" BHCS and $\frac{3}{8}$ " low crown cap nuts. Attach the chain to the handholds using $\frac{3}{8}$ " x $1\frac{11}{16}$ " BHCS w/pin and $\frac{3}{8}$ " low crown cap nuts. Refer to the Disc Assembly Detail. **NOTE:** *When attaching the disc bracket to the 16" disc height handhold, the disc bracket and chain share the same hole.*
- 8) Insert $\frac{5}{8}$ " O.D. x $\frac{1}{2}$ " long bushings into holes in footers. Attach chains to footers using bolt links and $\frac{3}{8}$ " x $1\frac{1}{4}$ " BHCS w/pin limited thread bolts. Refer to the Disc Assembly Detail.
- 9) **(Direct Bury)** With footer plumb and centered under handholds, pour concrete footing. Allow concrete to cure for a minimum of 72 hours before users are allowed to play on the structure.
(Surface Mount) Mark anchor bolt locations on concrete slab through holes in footer plates. Move footers aside, and drill 3" deep holes on marks into concrete slab using hammer drill and $\frac{1}{2}$ " masonry bit. Tap expansion anchors into holes and secure footers using $\frac{1}{2}$ " standard hex nuts with $\frac{1}{2}$ " flat washers.
- 10) Install $\frac{1}{4}$ " x $\frac{5}{8}$ " drive rivets in all 5" half clamps. Refer to the Offset Hanger Clamp Spec Sheet.
- 11) Install protective surfacing before users are allowed to play on the structure.

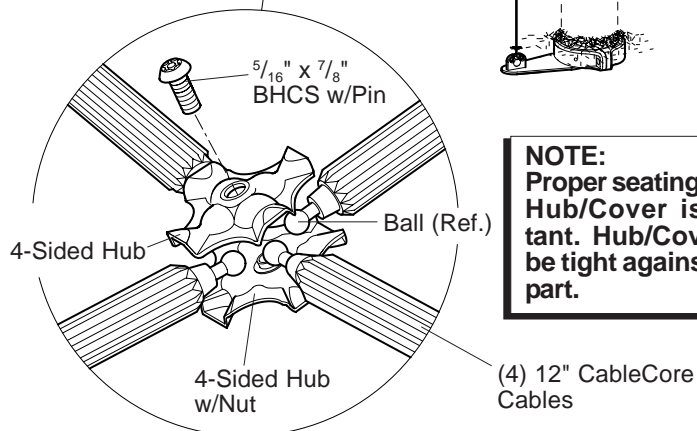
PLAN VIEW/FOOTING LAYOUT



DETAIL COVER ATTACHMENT



DETAIL HUB ASSEMBLY



NOTE:
 Proper seating of ball in Hub/Cover is important. Hub/Cover must be tight against mating part.

NOTE:
 Can be attached to 32" & 40" decks if a vertical ladder is used off access decks over 32".

Parts List

Part#	Description	Qty.
105327-01	5" Half Clamp, Specify Color	6
145562-00	12" CableCore Cable, Red	52
142732-00	Beam, Specify Color	1
132730-00	Cable Cover, Specify Color	9
134920-00	4-Sided Hub, Specify Color	15
134921-00	4-Sided Hub w/Nut, Specify Color	15
134922-00	3-Sided Hub, Specify Color	13
134923-00	3-Sided Hub w/Nut, Specify Color	13
152707-00	19" Cable, Red	2
151787-00	Attachment Clamp, Specify Color	2
100610-00	1/4" x 5/8" Drive Rivet, AL/SST	6
152734-00	Fish Net Hardware Package	1
131849-00	5/16" x 1/2" BHCS w/Pin, SST	22
132626-00	5/16" x 7/8" BHCS w/Pin, SST	28
100196-00	3/8" x 7/8" BHCS w/Pin, SST	12
100351-00	3/8" Tee Nut, SST	12

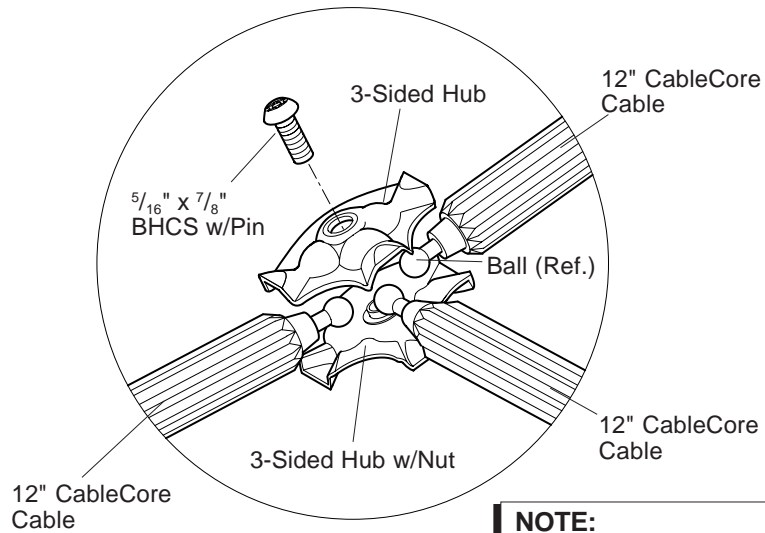
Specifications

Beam:	Weldment comprised of formed 2.375" O.D. RS-20 (.095" - .105") galvanized steel tubing and 1/4" x 3" wide steel clamps. Finish: ProShield®, color specified.
CableCore:	Made from 3/16" 7-19 galvanized aircraft cable. Coated with U.V. stabilized polyurethane elastomer measuring 1" in diameter, red in color.
Hub/Cover:	Formed from 12 GA (.105") HRPO low carbon sheet steel. Finish: ProShield, color specified.
19" Cable:	Made from 3/16" 7-19 galvanized aircraft cable. Coated with U.V. stabilized polyvinyl chloride (PVC), red in color.
Attachment Clamp:	Weldment comprised of 1/4" HRPO flat steel, 1/4" x 1 1/2" HR flat steel and 1/4" x 1 3/4" wide steel zinc plated clamp. Finish: ProShield, color specified.
Half Clamp:	Cast aluminum. Finish: ProShield, color specified.
Fasteners:	Primary fasteners shall be socketed and pinned tamperproof in design, stainless steel (SST) per ASTM F 879 unless otherwise indicated (see specific product installation/specifications).
Installation Time:	Approx. 2 3/4 man hours
Weight:	67 lbs.
Fall Height:	56" (1420 mm)

Installation Instructions

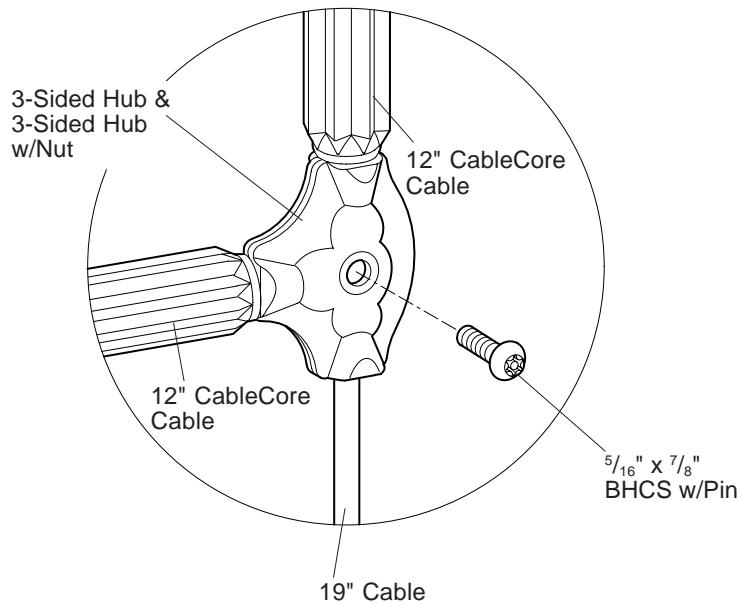
- 1) Assemble the CableCore ladder using CableCore Cables, 3-sided hubs, 3-sided hubs with nuts, 4-sided hubs, 4-sided hubs with nuts, 19" cables, and 5/16" x 7/8" BHCS w/pin. Refer to the Hub Assembly Details and Cable Attachment Detail. **NOTE: Proper seating of ball in Hub/Cover is important. Hub/Cover must be tight against mating part.**
- 2) Attach the CableCore ladder to the beam using cable covers and 5/16" x 1/2" BHCS w/pin. Refer to the Cover Attachment Detail. **NOTE: Proper seating of ball in Hub/Cover is important. Hub/Cover must be tight against mating part.**
- 3) Mark posts for the appropriate height of the beam.
- 4) Fasten beam to marked position on posts using 5" half clamps, 3/8" x 7/8" BHCS w/pin and 3/8" tee nuts, as shown.
- 5) Attach cables to attachment clamps using cable covers and 5/16" x 1/2" BHCS w/pin. Refer to the Attachment Clamp Detail.
- 6) Attach attachment clamps to posts using 5" half clamps, 3/8" x 7/8" BHCS w/pin and 3/8" tee nuts. Refer to the Attachment Clamp Details.
- 7) Install 1/4" x 5/8" drive rivets in all 5" half clamps. Refer to the Offset Hanger Clamp Spec Sheet.
- 8) Install protective surfacing before users are allowed to play on the structure.

DETAIL
3-SIDED HUB ASSEMBLY

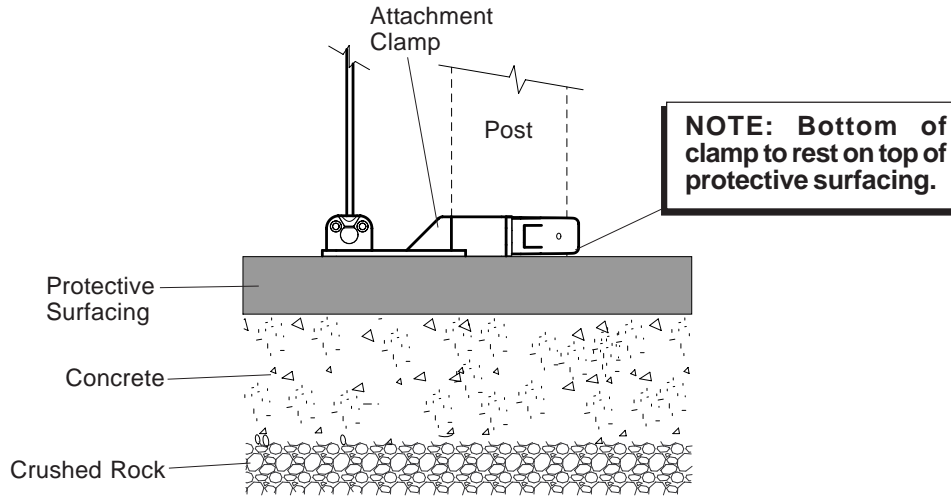


NOTE:
Proper seating of ball in Hub/Cover is important. Hub/Cover must be tight against mating part.

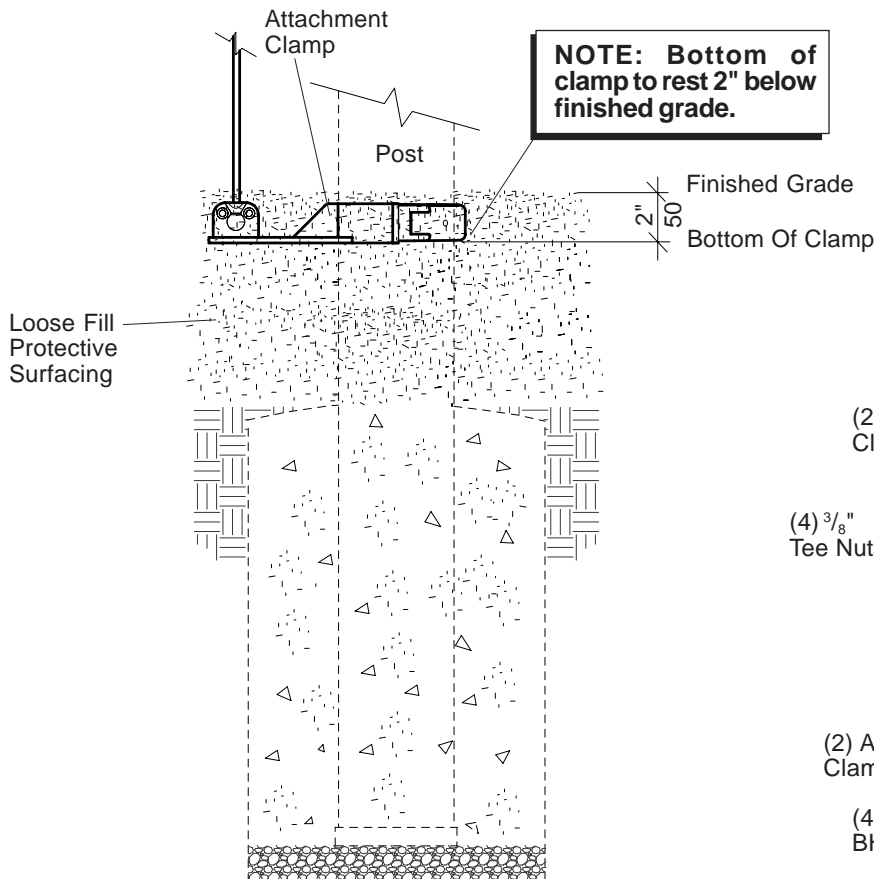
DETAIL
CABLE ATTACHMENT



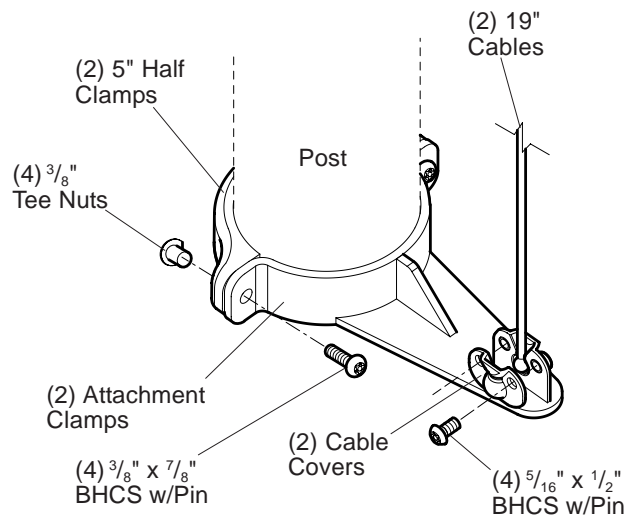
**DETAIL
SURFACE MOUNT**



**DETAIL
DIRECT BURY**

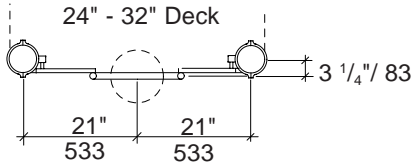


**DETAIL
ATTACHMENT CLAMP**

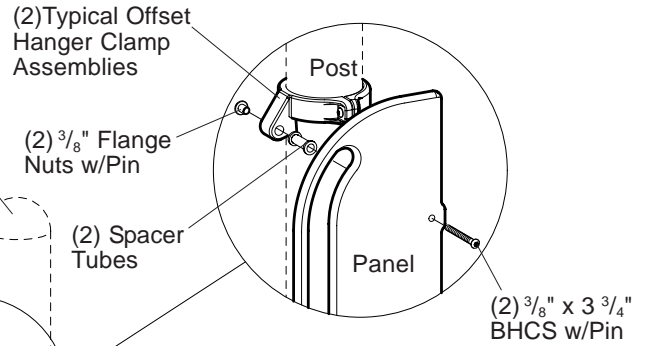


PlayBooster® 126194 Fish Net Climber

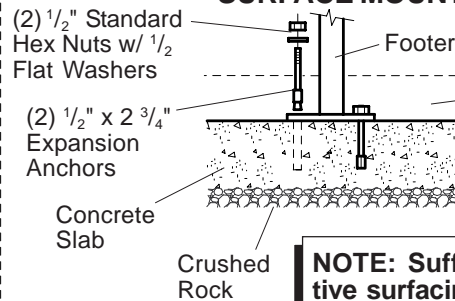
**PLAN VIEW
FOOTING PLAN**



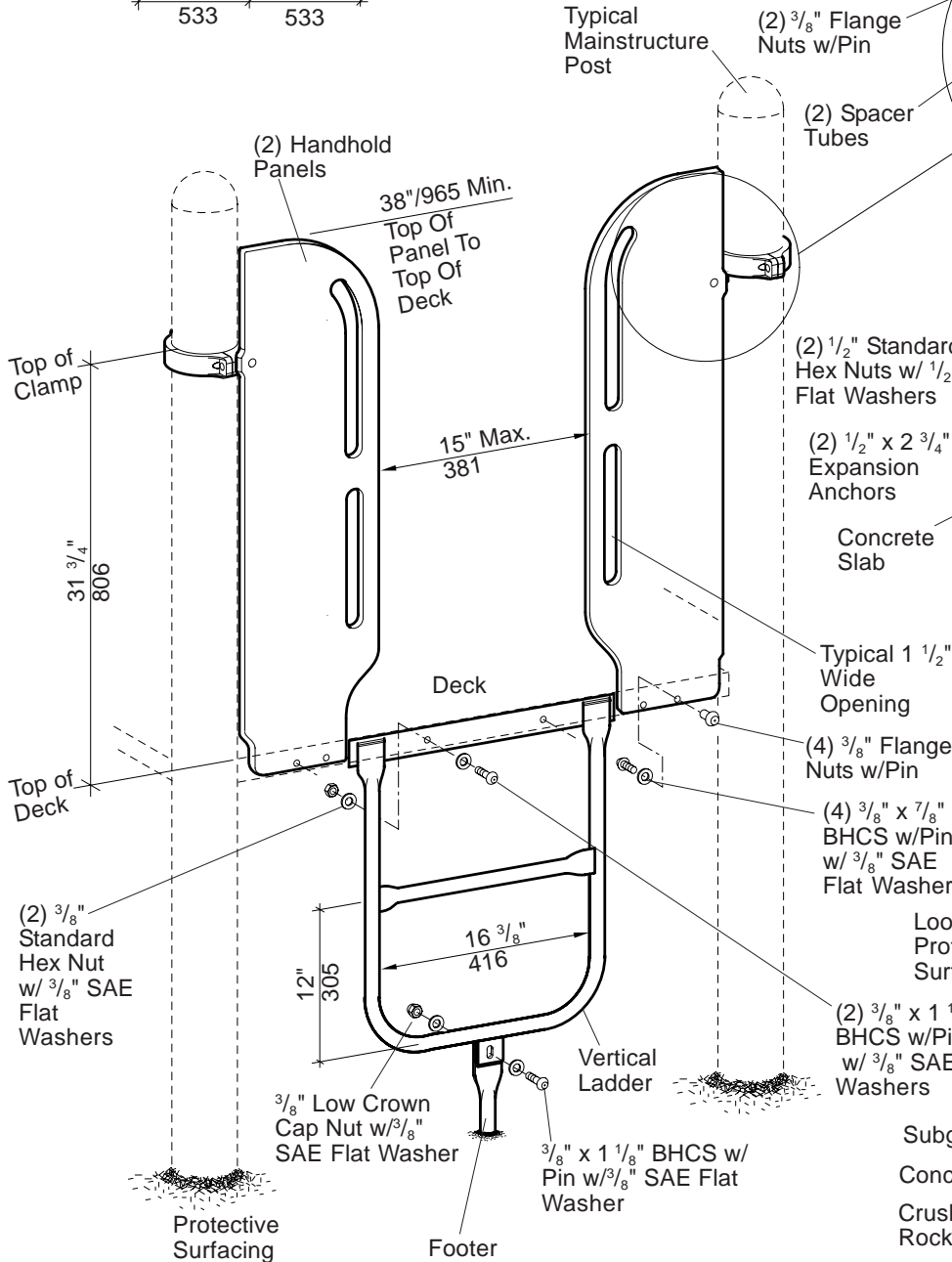
**DETAIL
PANEL ATTACHMENT**



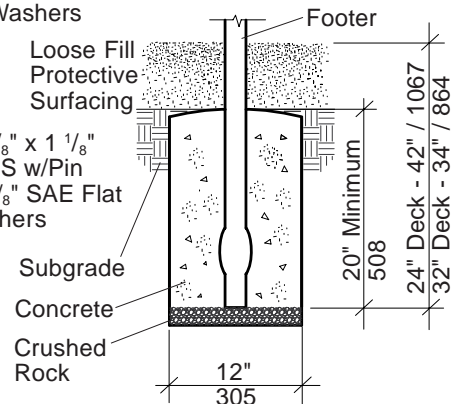
**DETAIL
SURFACE MOUNT**



NOTE: Sufficient protective surfacing must cover hardware to satisfy fall height requirements.



**DETAIL
Direct Bury**



Parts List

Part#	Description	Qty.
115776-00	Vertical Ladder, 24"/32", Specify Color	1
139563-00	Handhold Panel, Specify Color	2
180703-00	Footer (DB), Specify Color	1
180704-00	Footer (SM), Specify Color	1
105327-01	5" Half Clamp, Specify Color	2
113729-00	Offset Hanger Clamp, Specify Color	2
113468-00	Spacer Tube, Specify Color	2
190270-00	Vertical Ladder (Tenderdeck) Hardware Pkg ...	1
124460-00	3/8" x 3 3/4" BHCS w/Pin, SST	2
100196-00	3/8" x 7/8" BHCS w/Pin, SST	4
100198-00	3/8" x 1 1/8" BHCS w/Pin, SST	7
100327-00	3/8" Standard Hex Nut, SST	2
100349-00	3/8" Low Crown Cap Nut, SST	1
100351-00	3/8" Tee Nut, SST	4
100353-00	3/8" Flange Nut w/Pin, SST	6
100365-00	3/8" SAE Flat Washer, SST	10
111392-00	2 Hole (SM) Hardware Package	1
100266-00	1/2" x 2 3/4" Expansion Anchor	2
100322-00	1/2" Standard Hex Nut, SST	2
100363-00	1/2" Flat Washer, SST	2

DB = Direct Bury

SM = Surface Mount

Specifications

Vertical Ladder: Weldment comprised of 1.125" O.D. 11 GA (.120") steel tubing, 1.029" O.D. RS20 (.070" - .080") and 3/16" x 2" wide steel flat plates. Finish: TenderTuff®, color specified.

Footer: Fabricated from 1.315" O.D. RS20 (.080" - .090") galvanized steel tubing. Finish: ProShield®, color specified.

Handhold Panel: Solid color Permalene®, color specified.

Spacer Tube: Made from 6061-T6 aluminum 7/8" O.D. x 1 11/16". Finish: ProShield, color specified.

Offset Hanger Clamp Assembly: Cast aluminum. Finish: ProShield, color specified.

Fasteners: Primary fasteners shall be socketed and pinned tamperproof in design, stainless steel (SST) per ASTM F 879 unless otherwise indicated (see specific product installation/specifications).

Installation Time: DB - Approx. 1 1/2 man hour
SM - Approx. 1 man hour

Concrete Req.: Approx. 1.3 cu. ft.

Weight: DB, 24"/32" - 40 lbs.

SM, 32" - 39 lbs.

Fall Height: Deck Height

Installation Instructions

Direct Bury

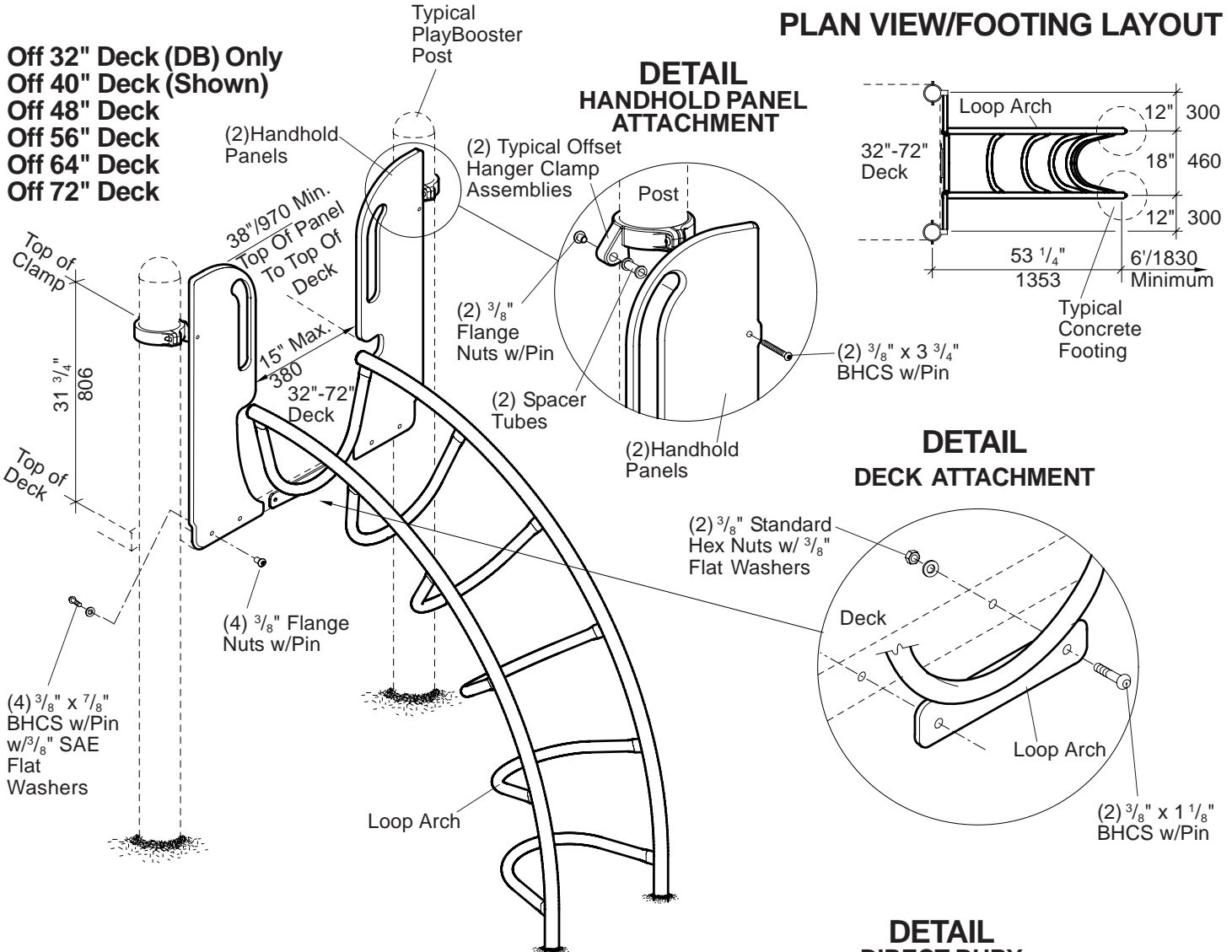
- 1) Dig footing to depth and spacing, as shown.
- 2) Attach footer to ladder, using a 3/8" x 1 1/8" BHCS w/pin with 3/8" SAE flat washer and a 3/8" low crown cap nut with 3/8" SAE flat washer, as shown.
- 3) Attach ladder to deck using 3/8" x 1 1/8" BHCS w/pin with 3/8" SAE flat washers and 3/8" standard hex nuts with 3/8" SAE flat washers.
- 4) Attach handhold panel to the face of the deck using 3/8" x 7/8" BHCS w/pin with 3/8" SAE flat washers and 3/8" flange nuts w/pin. **NOTE: Be sure handhold panels are snug to vertical ladder.**
- 5) Attach offset hanger clamps to posts at height shown, using 5" half clamps and 3/8" x 1 1/8" BHCS w/pin with 3/8" tee nuts. Refer To The Typical Offset Hanger Clamp Spec Sheet.
- 6) Attach panels to offset hanger clamp assemblies using 3/8" x 3 3/4" BHCS w/pin, spacer tubes and 3/8" flange nuts w/pin. See Panel Attachment Detail.
- 7) With ladder plumb, pour concrete footing. Allow concrete footing to cure a minimum of 72 hours before users are allowed to play on the structure.
- 8) Install protective surfacing before users are allowed to play on the structure.

Surface Mount

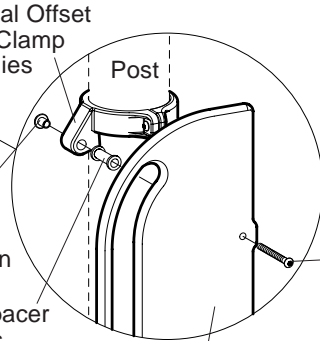
- 1) Attach footer to ladder, using a 3/8" x 1 1/8" BHCS w/pin with 3/8" SAE flat washer and a 3/8" low crown cap nut with 3/8" SAE flat washer, as shown.
- 2) Attach ladder to deck using 3/8" x 1 1/8" BHCS w/pin with 3/8" SAE flat washers and 3/8" standard hex nuts with 3/8" SAE flat washers.
- 3) Attach handhold panel to the face of the deck using 3/8" x 7/8" BHCS w/pin with 3/8" SAE flat washers and 3/8" flange nuts w/pin. **NOTE: Be sure handhold panels are snug to vertical ladder.**
- 4) Attach offset hanger clamps to posts at height shown, using 5" half clamps and 3/8" x 1 1/8" BHCS w/pin with 3/8" tee nuts. Refer To The Typical Offset Hanger Clamp Spec Sheet.
- 5) Attach panel to offset hanger clamp assemblies using 3/8" x 3 3/4" BHCS w/pin, spacer tubes and 3/8" flange nuts w/pin. See Panel Attachment Detail.
- 6) Using a 1/2" hammer drill and 1/2" masonry bit, drill anchor bolt holes into concrete slab 3" deep through holes in footer plate, as shown.
- 7) Tap expansion anchors into holes and fasten using 1/2" flat washers and 1/2" standard hex nuts, as shown.
- 8) Install protective surfacing before users are allowed to play on the structure.

Off 32" Deck (DB) Only
Off 40" Deck (Shown)
Off 48" Deck
Off 56" Deck
Off 64" Deck
Off 72" Deck

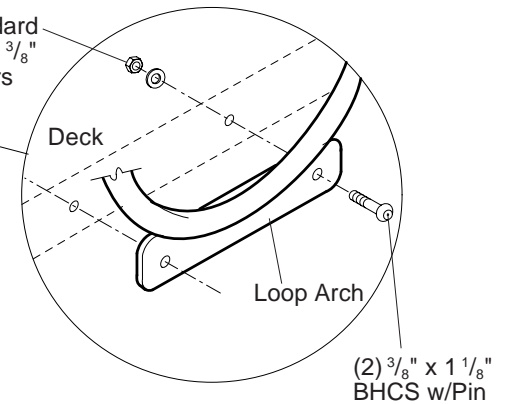
PLAN VIEW/FOOTING LAYOUT



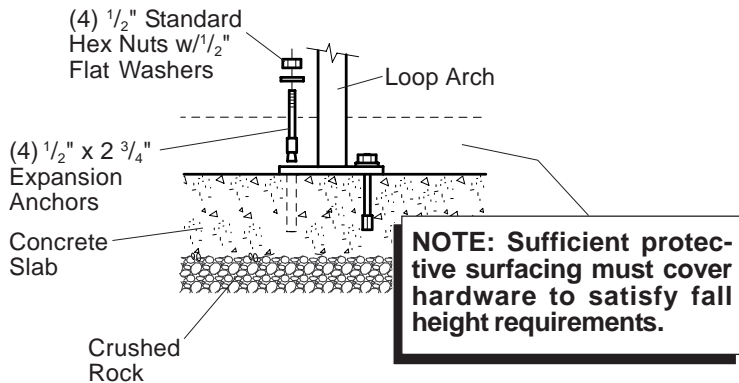
DETAIL HANDHOLD PANEL ATTACHMENT



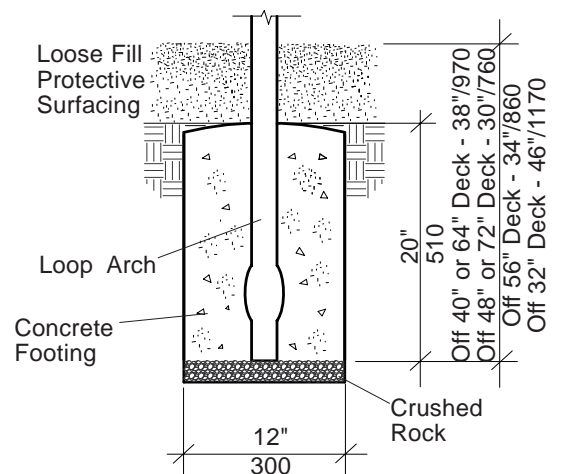
DETAIL DECK ATTACHMENT



DETAIL SURFACE MOUNT



DETAIL DIRECT BURY



Parts List

Part#	Description	Qty.
139561-00	Handhold Panel, Specify Color	2
111595-00	32", 40" & 48" Loop Arch (DB), Specify Color	1
111596-00	56" Loop Arch (DB), Specify Color	1
111597-00	64" & 72" Loop Arch (DB), Specify Color	1
111598-00	40" Loop Arch (SM), Specify Color	1
111599-00	48" Loop Arch (SM), Specify Color	1
111600-00	56" Loop Arch (SM), Specify Color	1
111601-00	64" Loop Arch (SM), Specify Color	1
111602-00	72" Loop Arch (SM), Specify Color	1
105327-01	5" Half Clamp, Specify Clamp	2
113729-00	Offset Hanger Clamp, Specify Color	2
113468-00	Spacer Tube, Specify Color	2
121370-00	Loop Arch (Tenderdeck) Hardware Package	1
100198-00	3/8" x 1 1/8" BHCS w/Pin, SST	2
100327-00	3/8" Standard Hex Nut, SST	2
100362-00	3/8" Flat Washer, SST	2
139551-00	Handhold (Tenderdeck) Hardware Package	1
124460-00	3/8" x 3 3/4" BHCS w/Pin, SST	2
100196-00	3/8" x 7/8" BHCS w/Pin, SST	4
100198-00	3/8" x 1 1/8" BHCS w/Pin, SST	4
100351-00	3/8" Tee Nut, SST	4
100353-00	3/8" Flange Nut w/Pin, SST	6
100365-00	3/8" SAE Flat Washer, SST	4
121348-00	4 Hole (SM) Hardware Package	1
100266-00	1/2" x 2 3/4" Expansion Anchor	4
100322-00	1/2" Standard Hex Nut, SST	4
100363-00	1/2" Flat Washer, SST	4

DB = Direct Bury
SM = Surface Mount

Specifications

Loop Arch: Weldment comprised of 1.660 O.D. RS-20 (.085" - .095") galvanized steel tubing, 1.315" O.D. RS-20 (.080" - .090") galvanized steel tubing and 1/4" flat steel. Finish: ProShield®, color specified.

Handhold Panel: Solid color Permalene®, color specified.

Spacer Tube: Made from 6061-T6 aluminum 7/8" O.D. x 1 11/16". Finish: ProShield, color specified.

Offset Hanger Clamp Assembly: Cast aluminum. Finish: ProShield, color specified.

Fasteners: Primary fasteners shall be socketed and pinned tamperproof in design, stainless steel (SST) per ASTM F 879 unless otherwise indicated (see specific product installation/specifications).

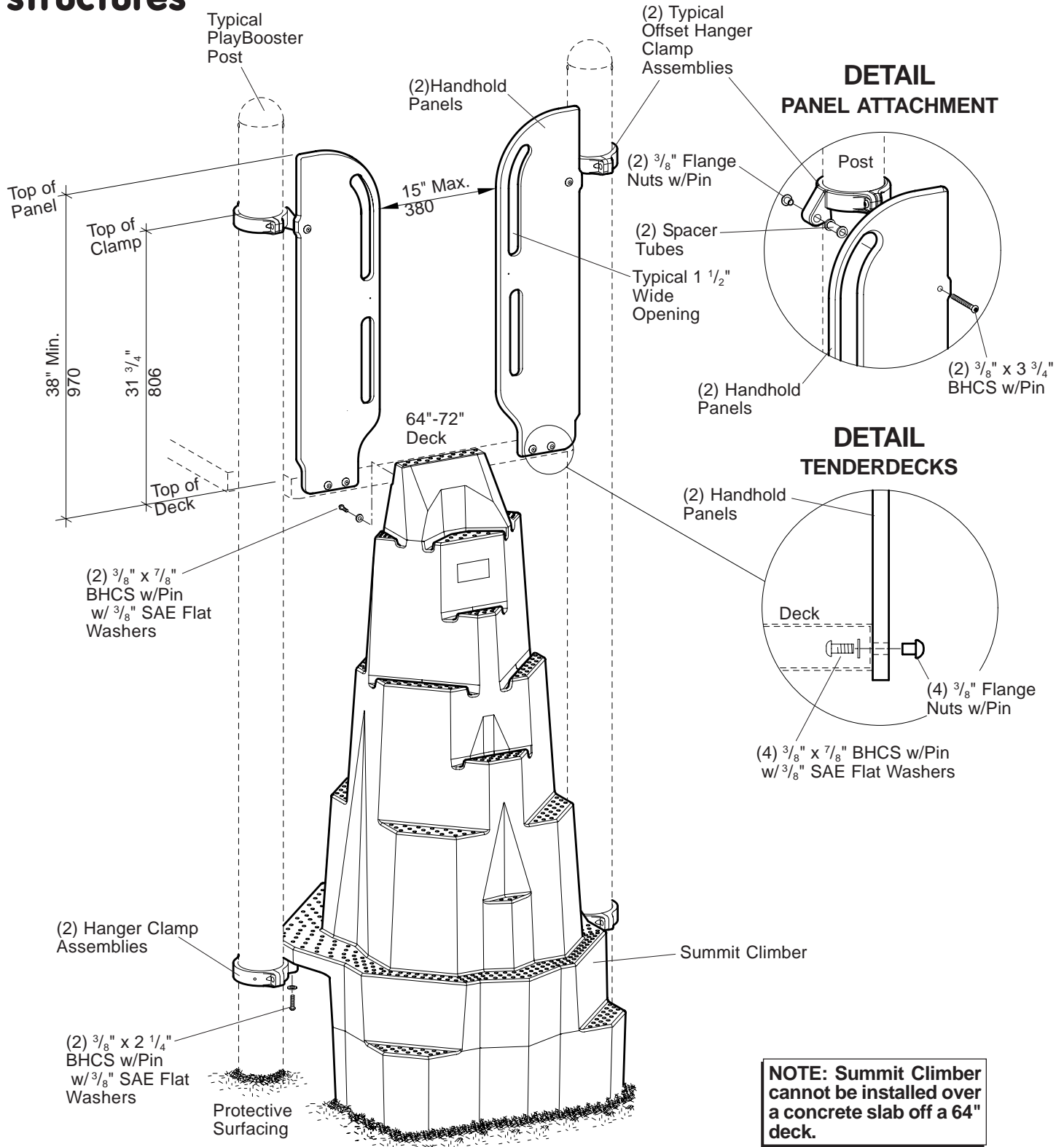
Installation Time: SM - Approx. 1 1/2 man hours
DB - Approx. 2 1/2 man hours

Concrete Req.: Approx. 2.6 cu. ft.
Weight: 32", 40" & 48" - 85 lbs.
56" - 91 lbs.
64" & 72" - 97 lbs.

Fall Height: Deck Height

Installation Instructions

- 1) **(Direct Bury)** Dig footing holes spaced as shown.
 - 2) Attach loop arch to deck using 3/8" x 1 1/8" BHCS w/pin and 3/8" standard hex nuts with 3/8" flat washers.
 - 3) Attach handhold panels to the face of the deck using 3/8" x 7/8" BHCS w/pin with 3/8" SAE flat washers and 3/8" flange nuts w/pin.
 - 4) Attach offset hanger clamps to posts at heights shown using 5" half clamps, 3/8" x 1 1/8" BHCS w/pin and 3/8" tee nuts. Refer to the Typical Offset Hanger Clamp Spec Sheet.
 - 5) Attach handhold panels to the offset hanger clamp assemblies using 3/8" x 3 3/4" BHCS w/pin, spacer tubes and 3/8" flange nuts w/pin. Refer to the Handhold Panel Attachment Detail.
 - 6) **(Direct Bury)** With loop arch in final position, pour concrete footings. Allow concrete footings to cure a minimum of 72 hours before users are allowed to play on the structure.
- (Surface Mount)** Mark anchor bolt locations on concrete slab through holes in anchor plate and remove loop arch. Drill 1/2" x 3" deep holes on marks into concrete using hammer drill and 1/2" masonry bit. Tap expansion anchors into drilled holes. Reposition loop arch and reattach to the face of the deck following step 2. Fasten anchor plates to expansion anchors using 1/2" standard hex nuts with 1/2" flat washers.
- 7) Install protective surfacing before users are allowed to play on the structure.





J:\SPECS\139\13989300.P65

Parts List

Part#	Description	Qty.
Single Summit Climber		
126791-00	Summit Climber, Specify Color	1
139563-00	Handhold Panel, Specify Color	2
105327-01	5" Half Clamp, Specify Color	4
113729-00	Offset Hanger Clamp, Specify Color	2
121289-00	Hanger Clamp, Specify Color	2
100610-00	1/4" x 5/8" Drive Rivet, AL/SST	4
113468-00	Spacer Tube, Specify Color	2
139894-00	Summit Climber (Single) Hardware Package	1
100196-00	3/8" x 7/8" BHCS w/Pin, SST	6
100198-00	3/8" x 1 1/8" BHCS w/Pin, SST	8
100199-00	3/8" x 2 1/4" BHCS w/Pin, SST	2
100351-00	3/8" Tee Nut, SST	8
100353-00	3/8" Flange Nut w/Pin, SST	6
100365-00	3/8" SAE Flat Washer, SST	8
124460-00	3/8" x 3 3/4" BHCS w/Pin, SST	2
Double Summit Climber		
126791-00	Summit Climber, Specify Color	2
139563-00	Handhold Panel, Specify Color	4
105327-01	5" Half Clamp, Specify Color	7
113729-00	Offset Hanger Clamp, Specify Color	4
121289-00	Hanger Clamp, Specify Color	3
100610-00	1/4" x 5/8" Drive Rivet, AL/SST	7
113468-00	Spacer Tube, Specify Color	4
126910-00	Support Plate, Specify Color	1
139895-00	Summit Climber (Double) Hardware Package ..	1
100196-00	3/8" x 7/8" BHCS w/Pin, SST	14
100198-00	3/8" x 1 1/8" BHCS w/Pin, SST	14
100199-00	3/8" x 2 1/4" BHCS w/Pin, SST	2
100351-00	3/8" Tee Nut, SST	12
100353-00	3/8" Flange Nut w/Pin, SST	13
100365-00	3/8" SAE Flat Washer, SST	17
113027-00	3/8" x 1 3/8" BHCS w/Pin, SST	1
124460-00	3/8" x 3 3/4" BHCS w/Pin, SST	4
Triple Summit Climber		
126791-00	Summit Climber, Specify Color	3
139563-00	Handhold Panel, Specify Color	6
105327-01	5" Half Clamp, Specify Color	10
113729-00	Offset Hanger Clamp, Specify Color	6
121289-00	Hanger Clamp, Specify Color	4
100610-00	1/4" x 5/8" Drive Rivet, AL/SST	10
113468-00	Spacer Tube, Specify Color	6
126910-00	Support Plate, Specify Color	2
139896-00	Summit Climber (Triple) Hardware Package	1
100196-00	3/8" x 7/8" BHCS w/Pin, SST	22
100198-00	3/8" x 1 1/8" BHCS w/Pin, SST	20
100199-00	3/8" x 2 1/4" BHCS w/Pin, SST	4
100351-00	3/8" Tee Nut, SST	20
100353-00	3/8" Flange Nut w/Pin, SST	20
100365-00	3/8" SAE Flat Washer, SST	26
113027-00	3/8" x 1 3/8" BHCS w/Pin, SST	2
124460-00	3/8" x 3 3/4" BHCS w/Pin, SST	6

Specifications

- Summit Climber:** Rotationally molded from U.V. stabilized linear low density polyethylene, color specified.
- Handhold Panel:** Solid color Permalene®, color specified.
- Support Plate:** Fabricated from 7 GA (.179") HRPO flat steel. Finish: ProShield®, color specified.

Spacer Tube: Made from 6061-T6 aluminum 7/8" O.D. x 1 11/16". Finish: ProShield, color specified.

Hanger

Clamp Assembly: Cast aluminum. Finish: ProShield, color specified.

Fasteners: Primary fasteners shall be socketed and pinned tamperproof in design, stainless steel (SST) per ASTM F 879 unless otherwise indicated (see specific product installation/specifications).

Installation Time: Single Approx. 2 man hours
Double Approx. 4 man hours
Triple Approx. 6 man hours

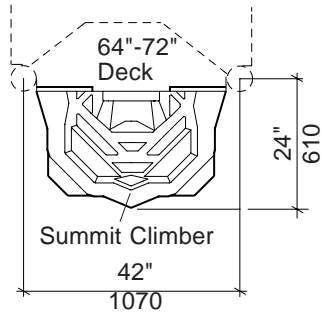
Weight: Single 100 lbs.
Double 199 lbs.
Triple 298 lbs.

Fall Height: Deck Height

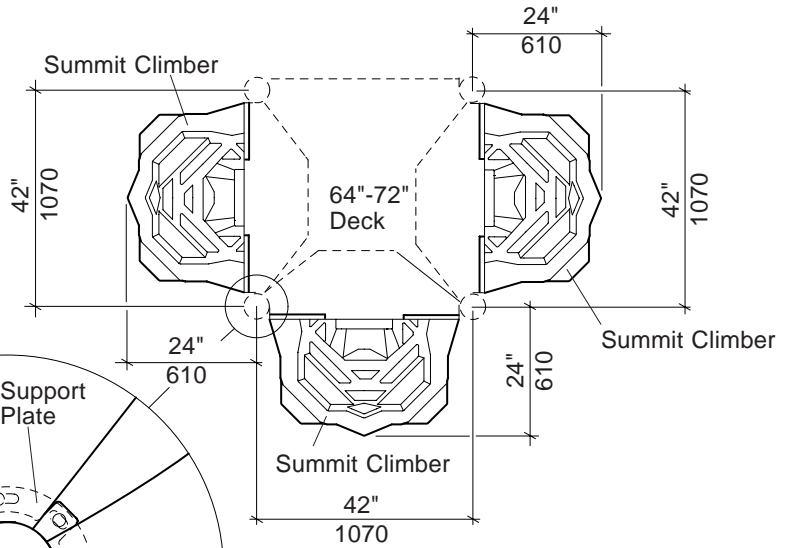
Installation Instructions

- 1) Attach offset hanger clamps to posts at height shown using 5" half clamps, 3/8" x 1 1/8" BHCS w/pin and 3/8" tee nuts. Refer to the Typical Offset Hanger Clamp Spec Sheet.
- 2) Attach handhold panels to the face of the deck using 3/8" x 7/8" BHCS w/pin with 3/8" SAE flat washers and 3/8" flange nuts w/pin. Refer to the Tenderdeck Detail.
- 3) Attach handhold panels to the offset hanger clamp assemblies using 3/8" x 3 3/4" BHCS w/pin, spacer tubes and 3/8" flange nuts w/pin. Refer to the Panel Attachment Detail.
- 4) Attach summit climber or climbers to the face of the deck using 3/8" x 7/8" BHCS w/pin with 3/8" SAE flat washers, as shown.
- 5) **(Single Summit Climber)** Attach hanger clamps to summit climber using 3/8" x 2 1/4" BHCS w/pin with 3/8" SAE flat washers. Attach hanger clamps to posts using 5" half clamps, 3/8" x 1 1/8" BHCS w/pin and 3/8" tee nuts. Refer to the Typical Offset Hanger Clamp Spec Sheet.
- (Double Summit Climber)** Attach the support plate to the hanger clamp using 3/8" x 1 3/8" BHCS w/pin with 3/8" SAE flat washer and 3/8" flange nut w/pin. Attach the support plate to the summit climbers using 3/8" x 7/8" BHCS w/pin with 3/8" SAE flat washers. Refer to the Support Plate Detail. Attach hanger clamp to the post using 5" half clamp, 3/8" x 1 1/8" BHCS w/pin and 3/8" tee nuts. Refer to the Typical Offset Hanger Clamp Spec Sheet. Refer to the Single Summit Climber Instruction above for the outer hanger clamp assembly.
- (Triple Summit Climber)** Attach the support plates to the hanger clamps using 3/8" x 1 3/8" BHCS w/pin with 3/8" SAE flat washers and 3/8" flange nuts w/pin. Attach the support plates to the summit climbers using 3/8" x 7/8" BHCS w/pin with 3/8" SAE flat washers. Refer to the Support Plate Detail. Attach hanger clamps to the posts using 5" half clamps, 3/8" x 1 1/8" BHCS w/pin and 3/8" tee nuts. Refer to the Typical Offset Hanger Clamp Spec Sheet. Refer to the Single Summit Climber Instruction above for the outer hanger clamp assembly.
- 6) Install protective surfacing before users are allowed to play on the structure.

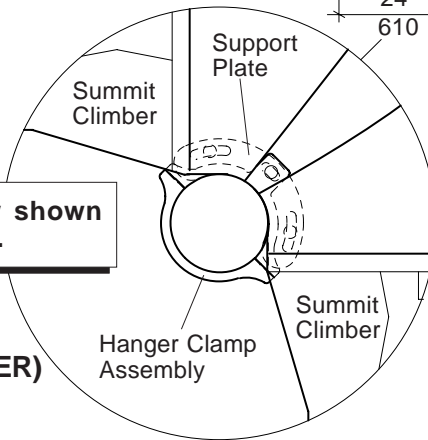
**PLAN VIEW
(SINGLE SUMMIT CLIMBER)**



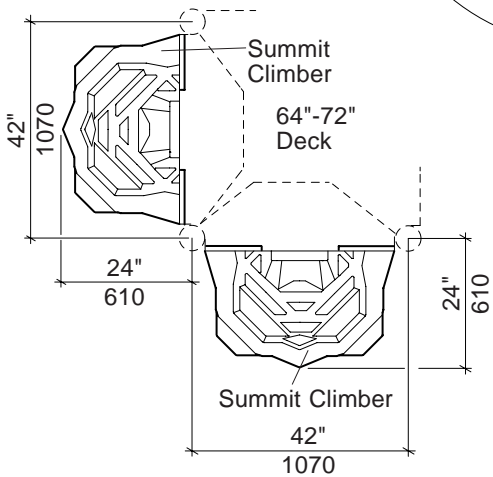
**PLAN VIEW
(TRIPLE SUMMIT CLIMBER)**



**NOTE: View shown
without deck.**



**PLAN VIEW
(DOUBLE SUMMIT CLIMBER)**



**DETAIL
SUPPORT PLATE**

