

CITY OF NAMPA, IDAHO NAMPA PUBLIC LIBRARY FURNITURE + SHELVING PROPOSAL PACKAGE



ARCHITECTURAL ABBREVIATIONS

ACT	ACOUSTIC CEILING TILE	E	EAST	ID	INSIDE DIAMETER	PL	PLATE	T	TREAD
ACWV	ALUM CLAD WD WINDOW	(E)/EXIST	EXISTING	IN	INCH(ES)	PLBC	PLUMBING	TEL	TELEPHONE
ADA	AMERICANS WITH DISABILITIES ACT	EA	EACH	INSUL	INSULATION	PLYWD	PLYWOOD	TEMP	TEMPERATURE, TEMPORARY
ADJ	ADJUSTABLE, ADJACENT	ELEC	ELECTRIC	INT	INTERIOR	LB	FOUND	TER	TERRAZZO
AFF	ABOVE FINISHED FLOOR	ELEV	ELEVATION, ELEVATOR	JAN	JANITOR	PT	PRESERVATIVE TREATED	TG	TONGUE AND GROOVE
AGGR	AGGREGATE	EMER	EMERGENCY	JS	JOINT SEALANT	QTY	QUANTITY	THK	THICK
L	ANGLE	ENCL	ENCLOSURE	JT	JOINT	R	RISER	TO	TOP OF
ALT	ALTERNATE	EPB	ELECTRICAL PANELBOARD	KD	KNOCKED DOWN	RD	RUBBER BASE	TOC	TOP OF CURB
ALUM	ALUMINUM	EQ	EQUAL	KIT	KITCHEN	REIN	REINFORCE	TOP	TOP OF PAVEMENT
ANOD	ANODIZED	EQUIP	EQUIPMENT	L	ANGLE	RES	RESILIENT	TOW	TOP OF WALL
AP	ACCESS PANEL	EW	ELECTRIC WATER COOLER	LAM	LAMINATE(D)	REV	REVISION	TS	TUBE STEEL
APPROX	APPROXIMATE	EXT	EXTERIOR	LAV	LAVATORY	REF	REFERENCE	TV	TELEVISION
ARCH	ARCHITECT(URAL)	FA	FIRE ALARM	LB	POUND	REG	REGISTER	TWP	TACKLE WALL PANEL
ASPH	ASPHALT	FAB	FABRICATE	LAB	LABORATORY	RFG	ROOFING	TYP	TYPICAL
A/V	AUDIO VISUAL	FB	FLAT BAR	LAV	LAVATORY	REQ	REQUIRED	UNFIN	UNFINISHED
AVG	AVERAGE	FE	FIRE EXTINGUISHER	LAV	LAVATORY	RF	RUBBER FLOOR	UNO	UNLESS NOTED OTHERWISE
		FEC	FIRE EXTINGUISHER CABINET	LB	POUND	RFID	RADIO FREQUENCY IDENTIFICATION	UR	URINAL
BD	BOARD	FF-EL	FINISHED FLOOR ELEVATION	LIN	LINEAR	RND	ROUND	VB	VAPOR BARRIER
BITUM	BITUMINOUS	FHD	FIRE HOSE CABINET	LTG	LIGHTING	RO	ROUGH OPENING	VAT	VINYL ASBESTOS TILE
BLDG	BUILDING	FIN	FINISH	LOUV	LOUVER	RS	ROLLER SHADE	VCT	VINYL COMPOSITION TILE
BLK	BLOCKING	FLASH	FLASHING	MATL	MATERIAL	RWD	REDWOOD	VERT	VERTICAL
BLT-IN	BUILT-IN	FLR	FLOOR	MAX	MAXIMUM	S	SOUTH	VEST	VESTIBULE
BM	BEAM	FOC	FACE OF CONCRETE	MECH	MECHANICAL	SA	SELF ADHERING	VIF	VERIFY IN FIELD
BOT	BOTTOM	FOF	FACE OF FINISH	MEMB	MEMBRANE	SCHD	SCHEDULE	VP	VENEER PLASTER
BRK	BRICK	FOS	FACE OF STRUCTURE	MFR	MANUFACTURE(R)	SECT	SECTION	VTR	VENT THROUGH ROOF
		FP	FIREPROOF	MH	MANHOLE	SHR	SHOWER	W	WEST
CAB	CABINET	FRP	FIBERGLASS REINFORCED PLASTIC	MN	MINIMUM	SHT	SHEET	WB	WEATHER BARRIER
CB	CEMENT BASE			MISC	MISCELLANEOUS	SHTG	SHOOTING	WC	WATER CLOSET
CEM	CEMENT	FD	FLOOR DRAIN	MO	MASONRY OPENING	NAT	NATURAL	WD	WOOD
CJ	CERAMIC	FFM	FOIL-FACED MEMBRANE	MR	METAL ROOFING SYSTEM	NIC	NOT IN CONTRACT	WDB	WOOD BASE
CL	CERAMIC TILE	FDN	FOUNDATION	MTL	METAL	NO	NUMBER	WI	WROUGHT IRON
CLG	CEILING	FLUOR	FLUORESCENT	MULL	MULLION	NOM	NOMINAL	WM	WALK-OFF MAT
CLO	CLOSET	FS	FIRE STOP			NTS	NOT TO SCALE	W/O	WITHOUT
CLR	CLEAR	FT	FOOT OF FEET			OBS	OBSOLETE	WR	WATER RESISTANT
CMU	CONCRETE MASONRY UNIT	FTG	FOOTING	N	NORTH	OC	ON CENTER	WSCOT	WAINSCOT
CMR	COUNTER	FTS	FLOOR TRANSITION STRIP	NAT	NATURAL	OD	OUTSIDE DIAMETER	WT	WINDOW TRIM
COL	COLUMN	FURN	FURNISH			OF	OVERFLOW ROOF DRAIN		
CONC	CONCRETE	FUT	FUTURE			OF/CI	OWNER FURNISHED/CONTRACTOR INSTALLED		
CONN	CONNECTION					OF/OI	OWNER FURNISHED/OWNER INSTALLED		
CONSTR	CONSTRUCTION	G	GROUND			OFF	OFFICE		
CONT	CONTINUOUS	GA	GAUGE			OPNG	OPENING		
CONTR	CONTRACTOR	GALV	GALVANIZED			OPP	OPPOSITE		
CORR	CORRIDOR	GEN	GENERAL			PBD	PARTICLE BOARD		
CPT	CARPET	GL	GLASS			PKG	PACKAGING		
CSK	COUNTERSINK	GLU BM	GLUED LAMINATED BEAM			PLAM	PLASTIC LAMINATE		
CT	CERAMIC TILE	GR	GRADE			PLAS	PLASTER		
CTR	CENTER	GYP BD	GYPSPUM BOARD			PNT	PAINT(ED)		
CW	COLD WATER	GYP BDX	GYPSPUM BOARD (TYPE X)			PR	PAIR		
		HB	HOSE BIBB			PTN	PARTITION		
DBL	DOUBLE	HC	HOLLOW CORE						
DEFL	DEFLECTION HEAD	HCP	HANDICAPPED						
DEM	DEMOLITION	HDBD	HARDBOARD						
DEPT	DEPARTMENT	HDW	HARDWARE						
DET	DETAIL	HGR	HANGER						
DF	DRINKING FOUNTAIN	HMD	HOLLOW METAL						
DIA	DIAMETER	HNDRL	HANDRAIL						
DM	DIMENSION	HORIZ	HORIZONTAL						
DN	DOWN	HT	HEIGHT						
DR	DOOR	HW	HOT WATER						
DS	DOWNSPOUT								
DWG	DRAWING								
DWR	DRAWER								

ARCHITECTURAL SYMBOLS

	NORTH ARROW
	DRAWING NAME
	SCALE INDICATION
	BUILDING SECTION
	WALL SECTION
	DETAIL
	ELEVATIONS
	INTERIOR ELEVATION(S)
	DOOR NUMBER
	GRID LINES
	WALL TYPE
	REVISION
	ROOM NAME/NUMBER
	KEYNOTES NUMBER
	WINDOW TYPE

PROJECT TEAM

OWNER CITY OF NAMPA, NAMPA PUBLIC LIBRARY
101 11TH AVENUE S
NAMPA, ID 83651
PH: (208) 468-5800
CONTACT: CLAIRE CONNLEY
DIRECT: (208) 468-5806

ARCHITECT FFA ARCHITECTURE AND INTERIORS, INC.
520 SW YAMHILL STREET #900
PORTLAND, OR 97204
PH: (503) 222-1661 FAX: (503) 222-1701
CONTACT: BRENDA KATZ
DIRECT: (503) 327-0317

SHEET INDEX

I-001	COVER SHEET
I-101	LEVEL 1 FURNITURE & SHELVING PLAN
I-102	LEVEL 2 FURNITURE & SHELVING PLAN
I-103	LEVEL 3 FURNITURE & SHELVING PLAN
I-104	SHELVING DETAILS

MARK DATE DESCRIPTION

NAMPA PUBLIC LIBRARY
LIBRARY SQUARE
NAMPA, IDAHO 83651

CITY OF NAMPA, IDAHO

APPROVED: TA

DRAWN: BRK

DATE: 04/25/14

PROJECT NUMBER: 24-01-12

COVER SHEET

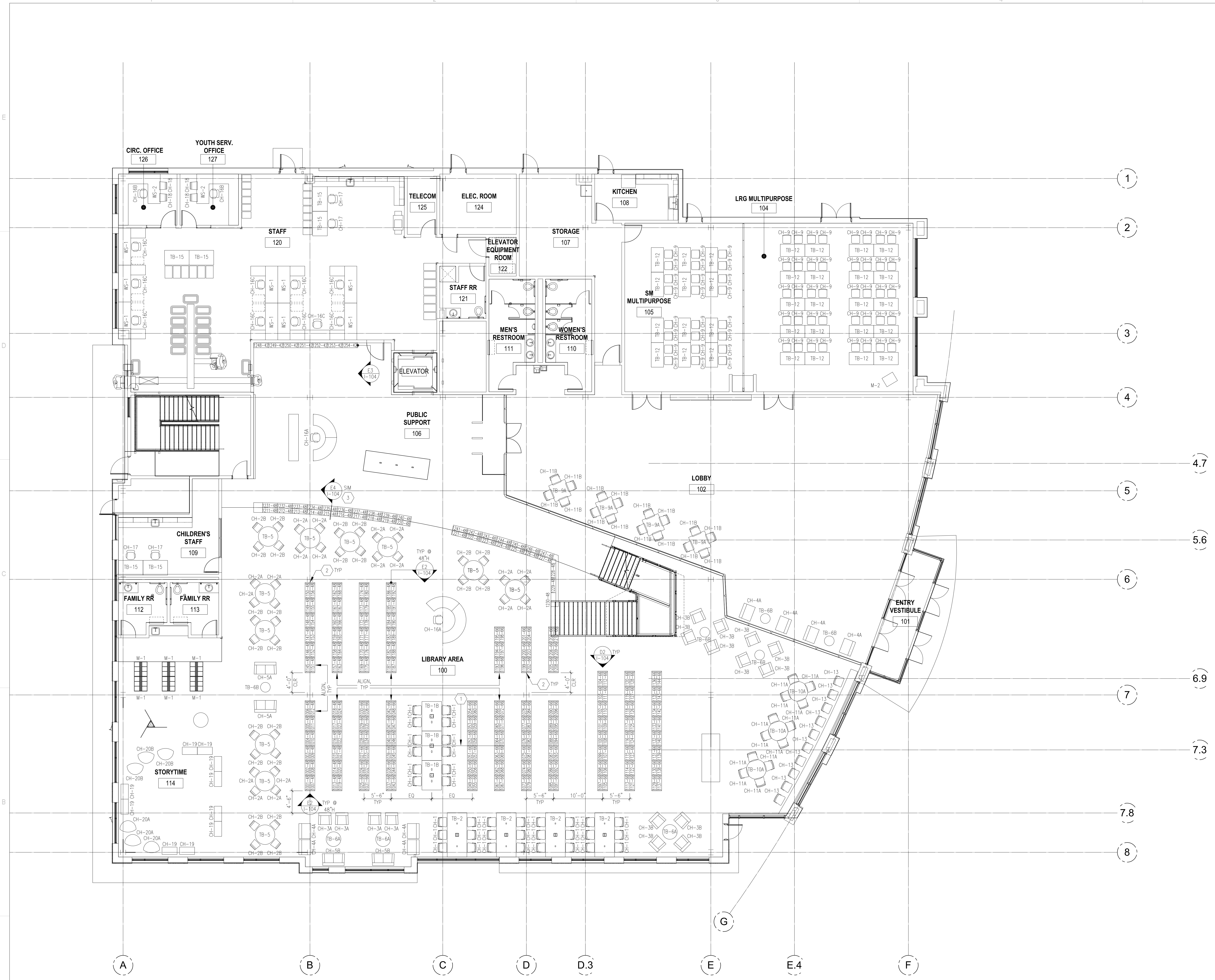
I-001
FF + E SET

GENERAL NOTES

1. REFERENCE SHELVING DETAILS SHEET FOR MORE INFORMATION REGARDING SHELVING TYPES, END PANELS & COUNTERTOPS.
2. REFERENCE ACCOMPANYING SPECIFICATION MANUAL FOR DETAILED FURNITURE SPECIFICATION INFORMATION & SHELVING SCHEDULE.
3. CENTER ROW OF SHELVES ON GRIDLINE WHERE OCCURS, TYP.
4. ALIGN FACE OF ENDPANELS ON ASLEWAYS, U.N.O.

KEYNOTES

1. LOCATE TABLE GROUPING SO THAT ENDS ARE CENTERED OVER FLOOR BOXES. CENTER OF TABLE GROUPING TO ALIGN WITH CENTER OF SHELVING ROWS.
2. ALIGN SHELVING RANGES WITH CENTER OF COLUMN GRIDS, WHERE OCCUR, UNO.
3. SHELVING CONTRACTOR TO VERIFY AS-BUILT CONDITION INCLUDING WALL RADIUS & CONSTRUCTION PRIOR TO FABRICATION.



LEGEND



MARK	DATE	DESCRIPTION
------	------	-------------

NAMPA PUBLIC LIBRARY
LIBRARY SQUARE
NAMPA, IDAHO 83651

CITY OF NAMPA, IDAHO

APPROVED: TA
DRAWN: BRK
DATE: 04/25/14
PROJECT NUMBER: 24-01-12

LEVEL 1
FURNITURE + SHELVING
PLAN

I-101
FF + E SET

A1 LEVEL 1 FURNITURE + SHELVING PLAN
1/8" = 1'-0"

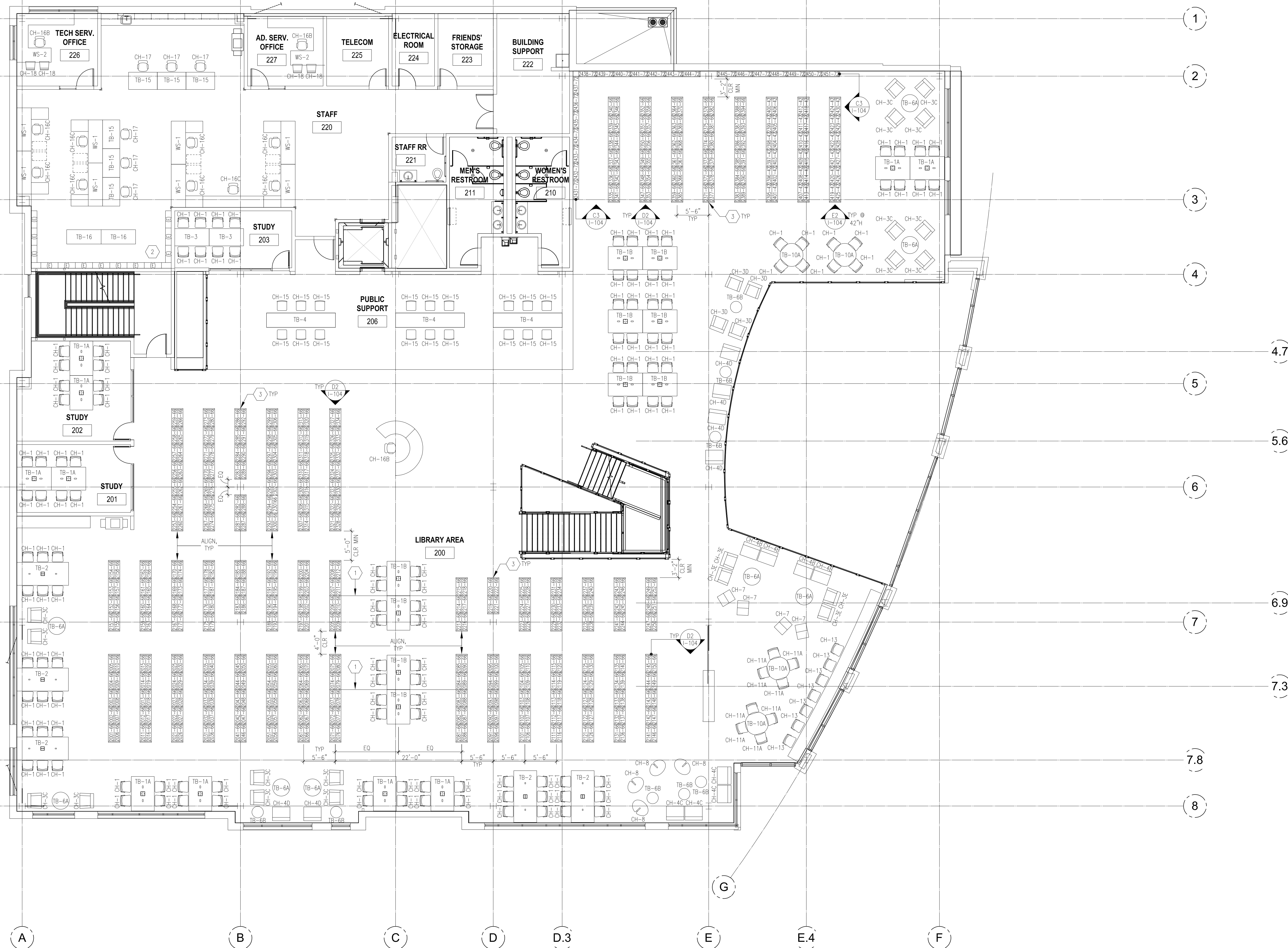


GENERAL NOTES

1. REFERENCE SHELVING DETAILS SHEET FOR MORE INFORMATION REGARDING SHELVING TYPES, END PANELS & COUNTERTOPS.
2. REFERENCE ACCOMPANYING SPECIFICATION MANUAL FOR DETAILED FURNITURE SPECIFICATION INFORMATION & SHELVING SCHEDULE.
3. CENTER ROW OF SHELVES ON GRIDLINE WHERE OCCURS, TYP.
4. ALIGN FACE OF ENDPANELS ON ASLEWAYS, U.N.O.

KEYNOTES

1. LOCATE TABLE GROUPING SO THAT ENDS ARE CENTERED OVER FLOOR BOXES, CENTER OF TABLE GROUPING TO ALIGN WITH CENTER OF SHELVING ROWS.
2. RELOCATE (E) SHELVING FROM CURRENT LIBRARY, VERIFY W/LIBRARY REPRESENTATIVE.
3. ALIGN SHELVING RANGES WITH CENTER OF COLUMN GRIDS, WHERE OCCURS, U.N.O.



A1 LEVEL 2 FURNITURE + SHELVING PLAN
1/8" = 1'-0"



LEGEND



MARK	DATE	DESCRIPTION

NAMPA PUBLIC LIBRARY
LIBRARY SQUARE
NAMPA, IDAHO 83651

CITY OF NAMPA, IDAHO

APPROVED:	TA
DRAWN:	BRK
DATE:	04/25/14
PROJECT NUMBER:	24-01-12

LEVEL 2
FURNITURE + SHELVING
PLAN

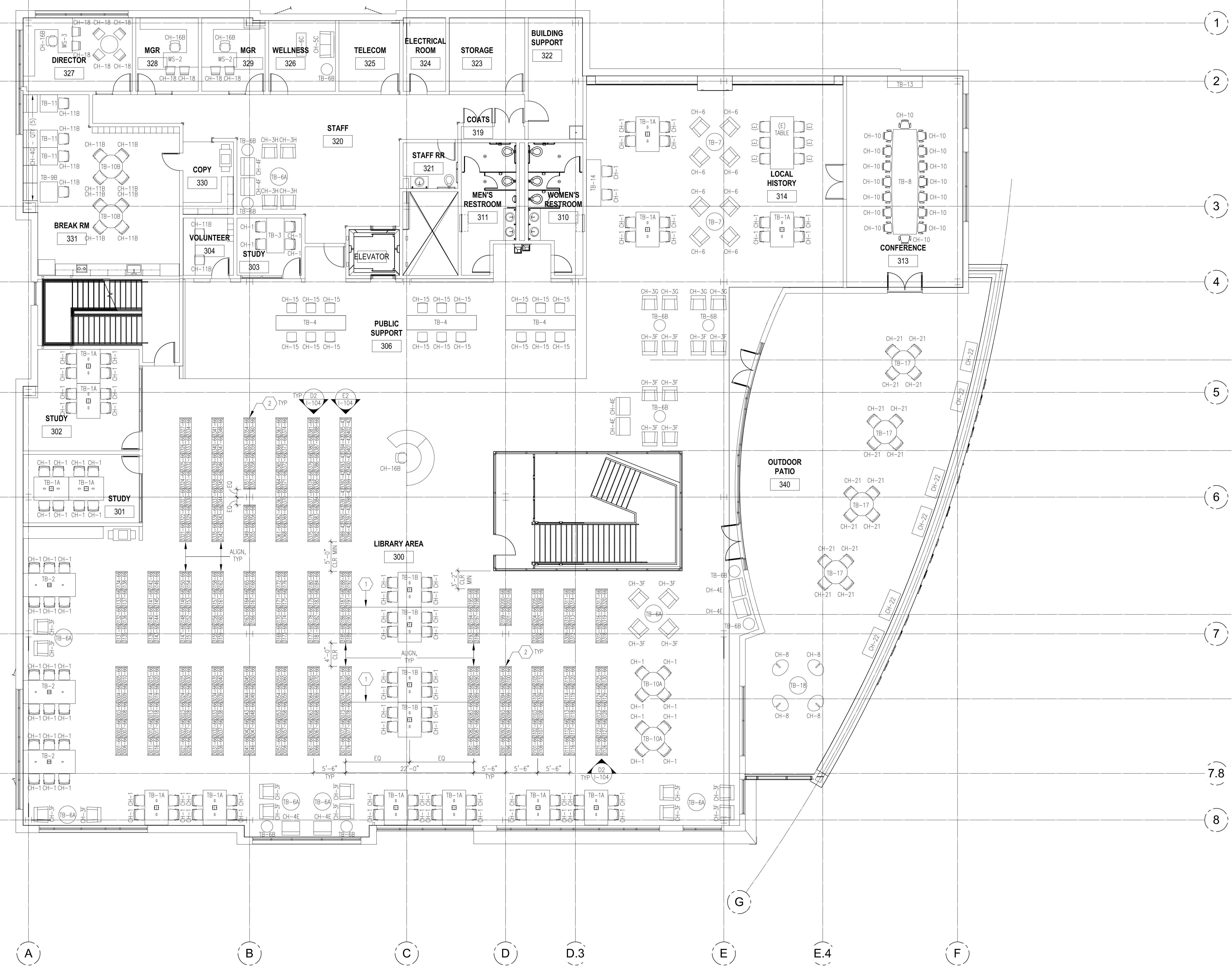
I-102
FF + E SET

GENERAL NOTES

1. REFERENCE SHELVING DETAILS SHEET FOR MORE INFORMATION REGARDING SHELVING TYPES, END PANELS & COUNTERTOPS.
2. REFERENCE ACCOMPANYING SPECIFICATION MANUAL FOR DETAILED FURNITURE SPECIFICATION INFORMATION & SHELVING SCHEDULE.
3. CENTER ROW OF SHELVES ON GRIDLINE WHERE OCCURS, TYP.
4. ALIGN FACE OF ENDPANELS ON ASLEWAYS, U.N.O.

KEYNOTES

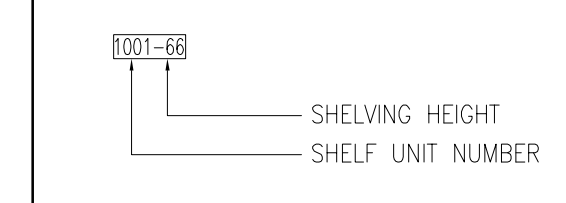
1. LOCATE TABLE GROUPING SO THAT ENDS ARE CENTERED OVER FLOOR BOXES, CENTER OF TABLE GROUPING TO ALIGN WITH CENTER OF SHELVING ROWS.
2. ALIGN SHELVING RANGES WITH CENTER OF COLUMN GRIDS, WHERE OCCUR, UNO.



A1 LEVEL 3 FURNITURE + SHELVING PLAN
1/8" = 1'-0"



LEGEND



MARK	DATE	DESCRIPTION

NAMPA PUBLIC LIBRARY
LIBRARY SQUARE
NAMPA, IDAHO 83651

CITY OF NAMPA, IDAHO

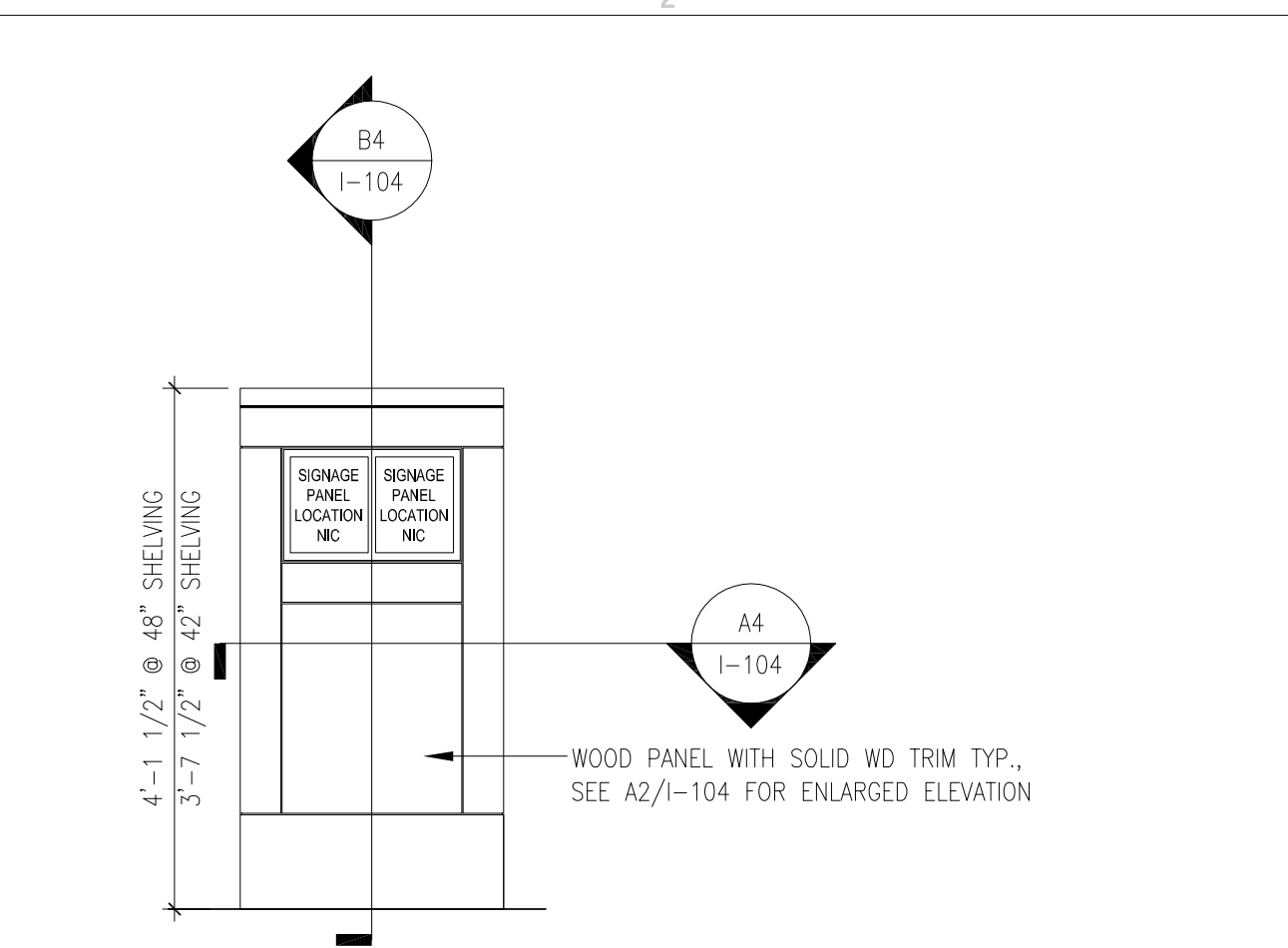
APPROVED:	TA
DRAWN:	BRK
DATE:	04/25/14
PROJECT NUMBER:	24-01-12

LEVEL 3
FURNITURE + SHELVING
PLAN

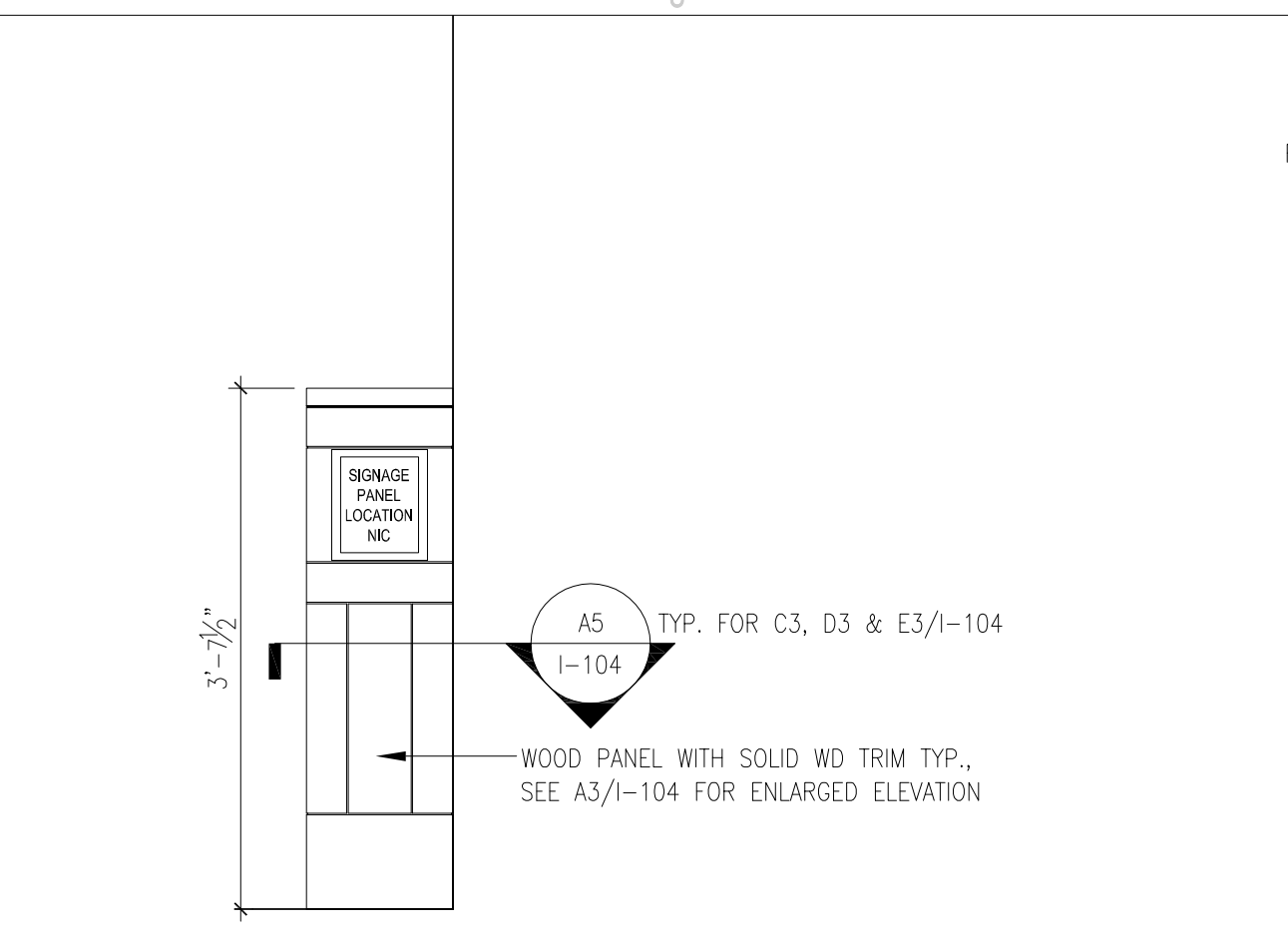
I-103
FF + E SET

GENERAL NOTES

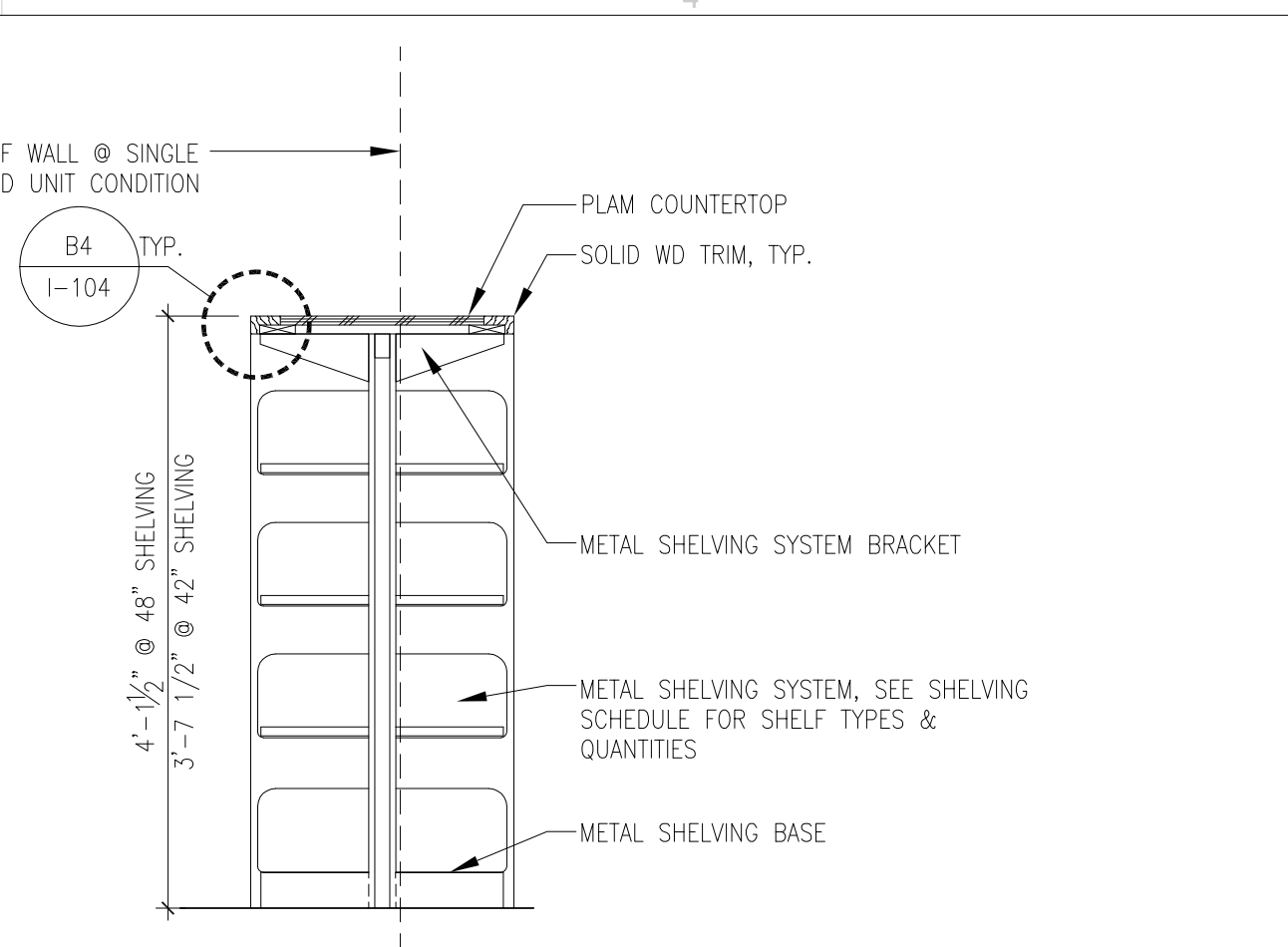
1. REFERENCE FURNITURE & SHELVING PLANS FOR LOCATIONS AND HEIGHTS OF SHELVING, ENDPANELS & COUNTERTOPS
2. REFERENCE ACCOMPANYING SPECIFICATION MANUAL FOR DETAILED SPECIFICATION INFORMATION & SHELVING SCHEDULE
3. CENTER ROW OF SHELVES ON GRIDLINE WHERE OCCURS, TYP.
4. ALIGN FACE OF ENDPANELS ON AISLEWAYS, U.N.O.
5. SHELVING CONTRACTOR TO PROVIDE SHELVING & WOODWORK PRODUCT DATA, LAYOUT DIAGRAM AND SHOP DRAWINGS FOR ARCHITECT & OWNER'S REVIEW PRIOR TO FABRICATION



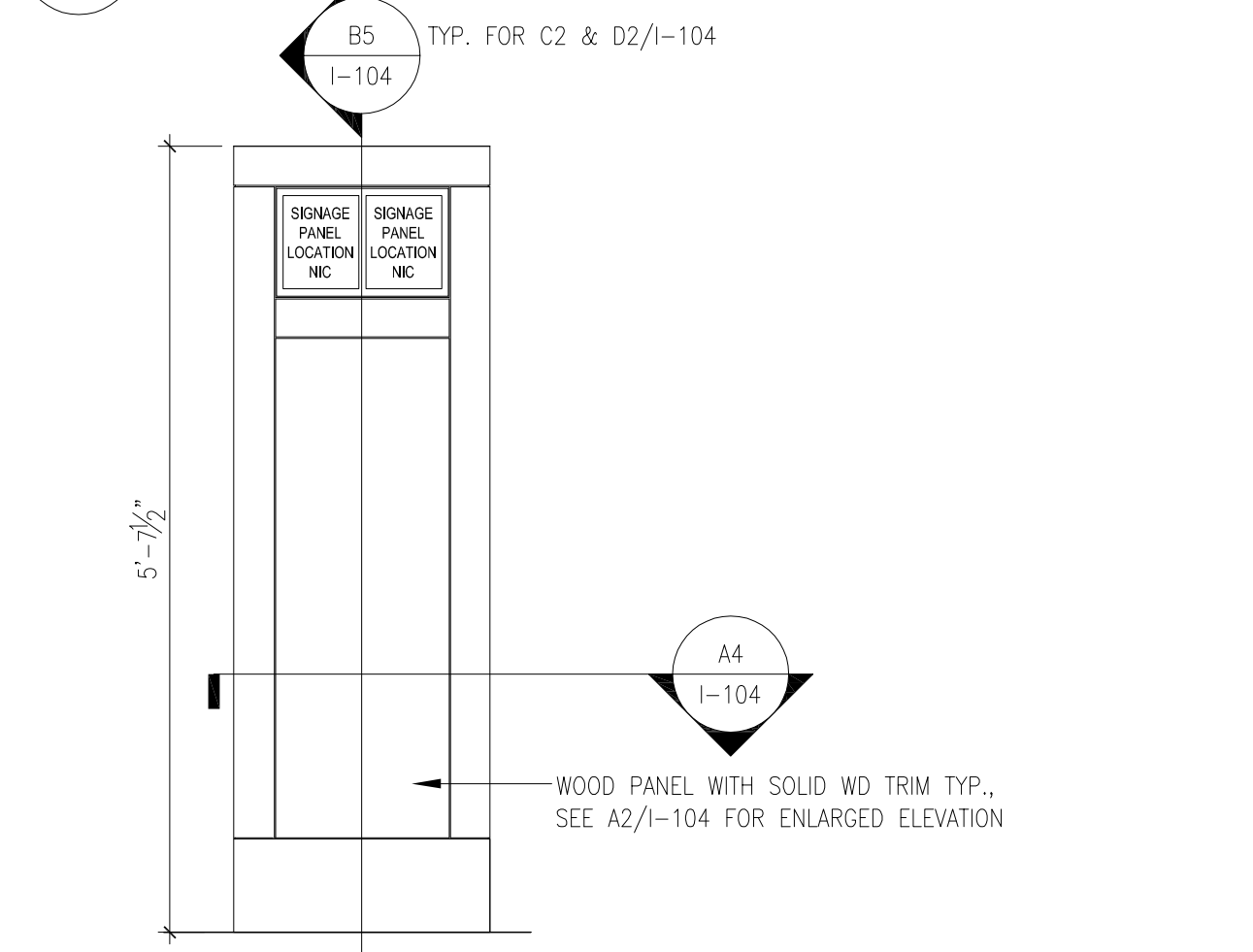
E2 WD END PANEL • LOW SHELVING
3/4"=1'-0" TYP. @ 42" & 48" HIGH SHELVES



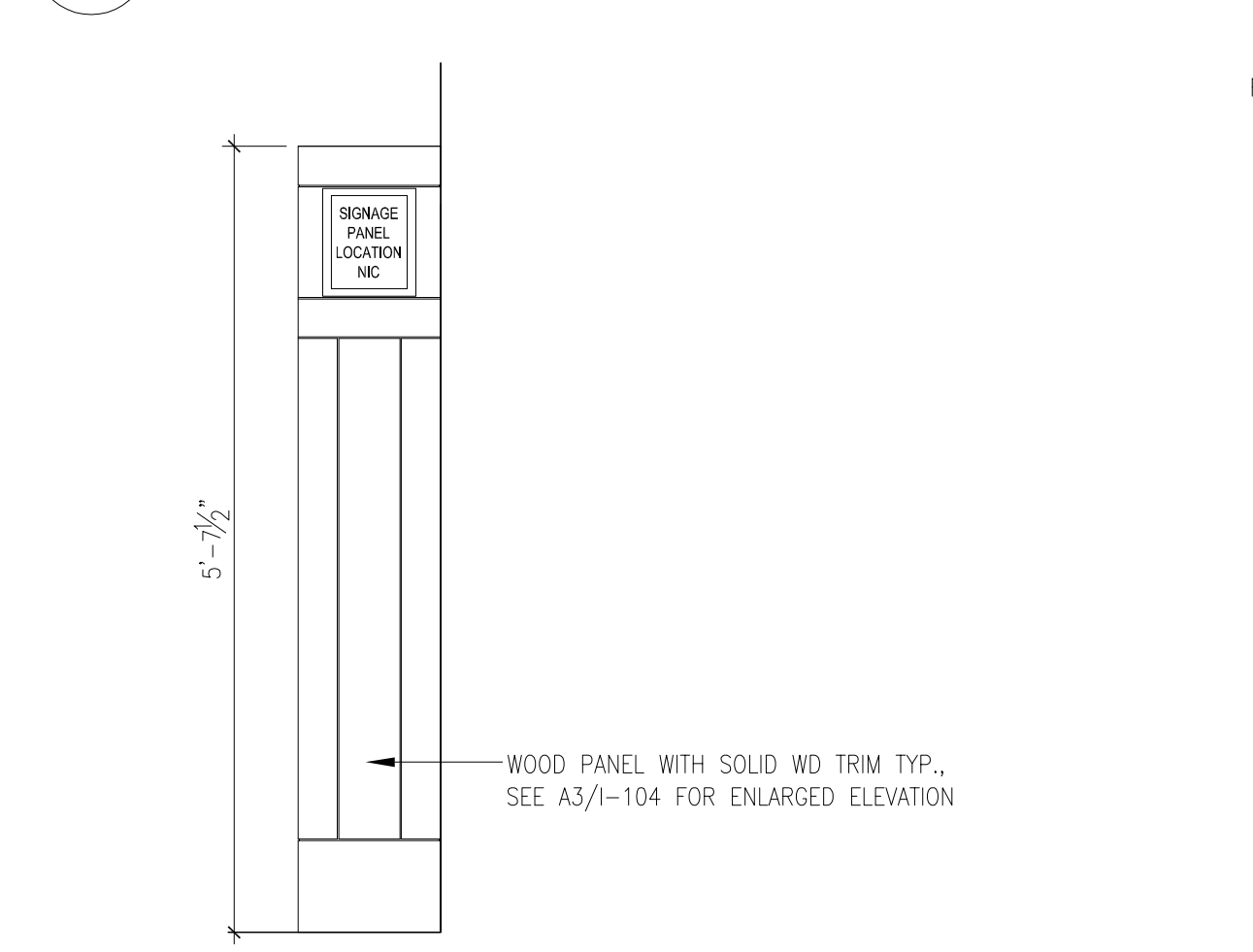
E3 SINGLE SIDED END PANEL • LOW SHELVING
3/4"=1'-0" TYP. @ 42" HIGH SHELVES



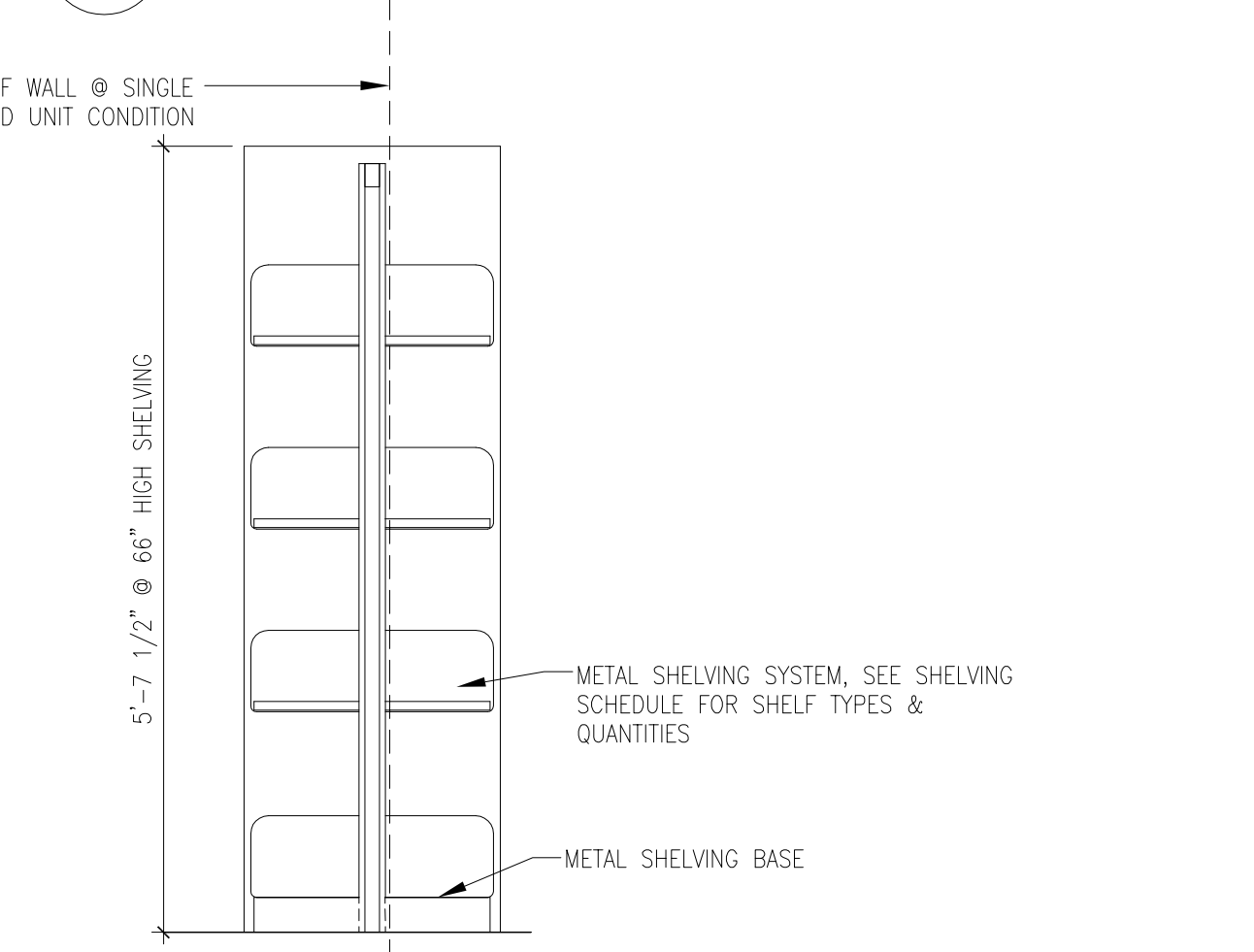
E4 LOW SHELVING - SECTION
3/4"=1'-0" TYP. @ 42" & 48" HIGH SHELVES



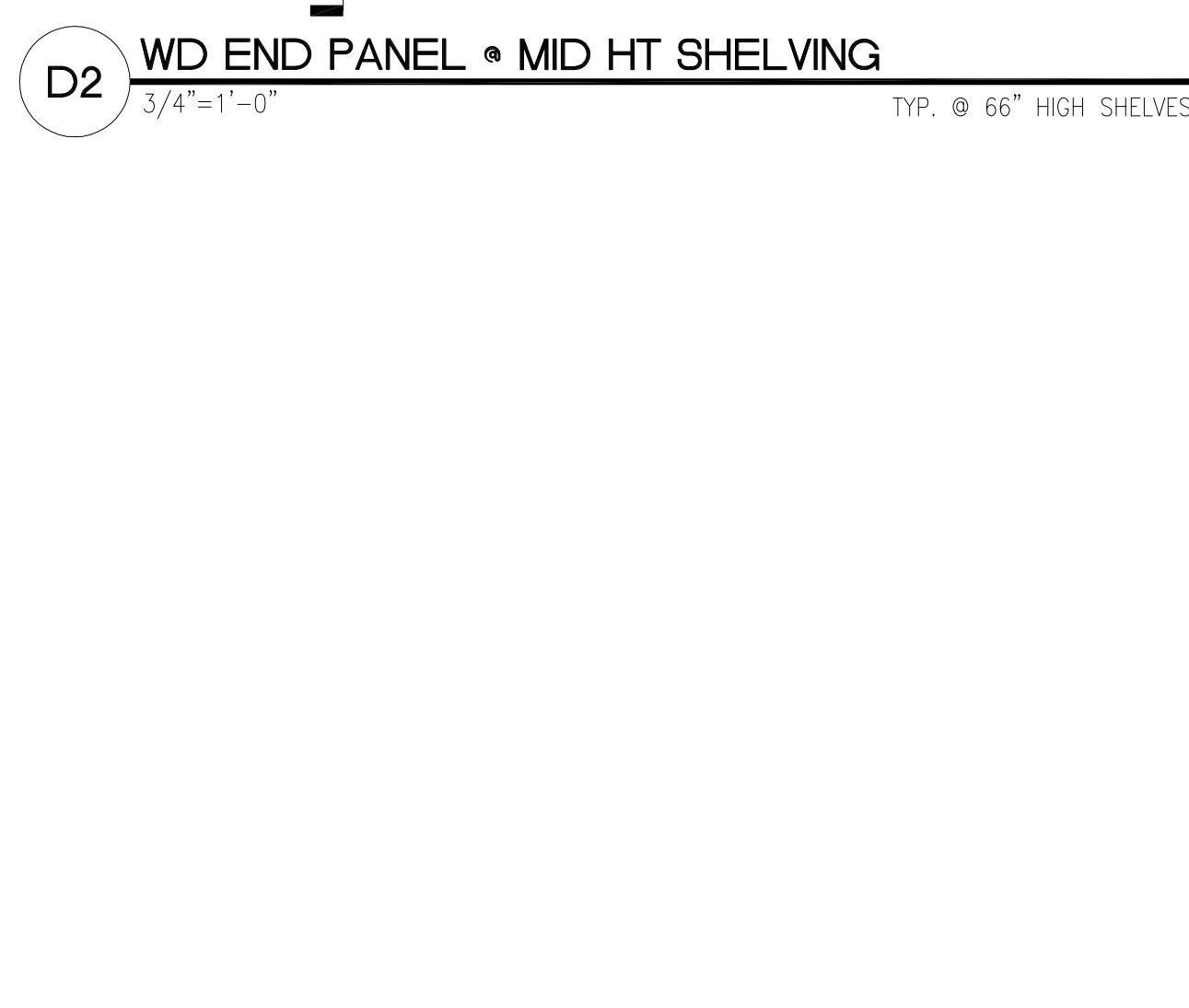
D2 WD END PANEL • MID HT SHELVING
3/4"=1'-0" TYP. @ 66" HIGH SHELVES



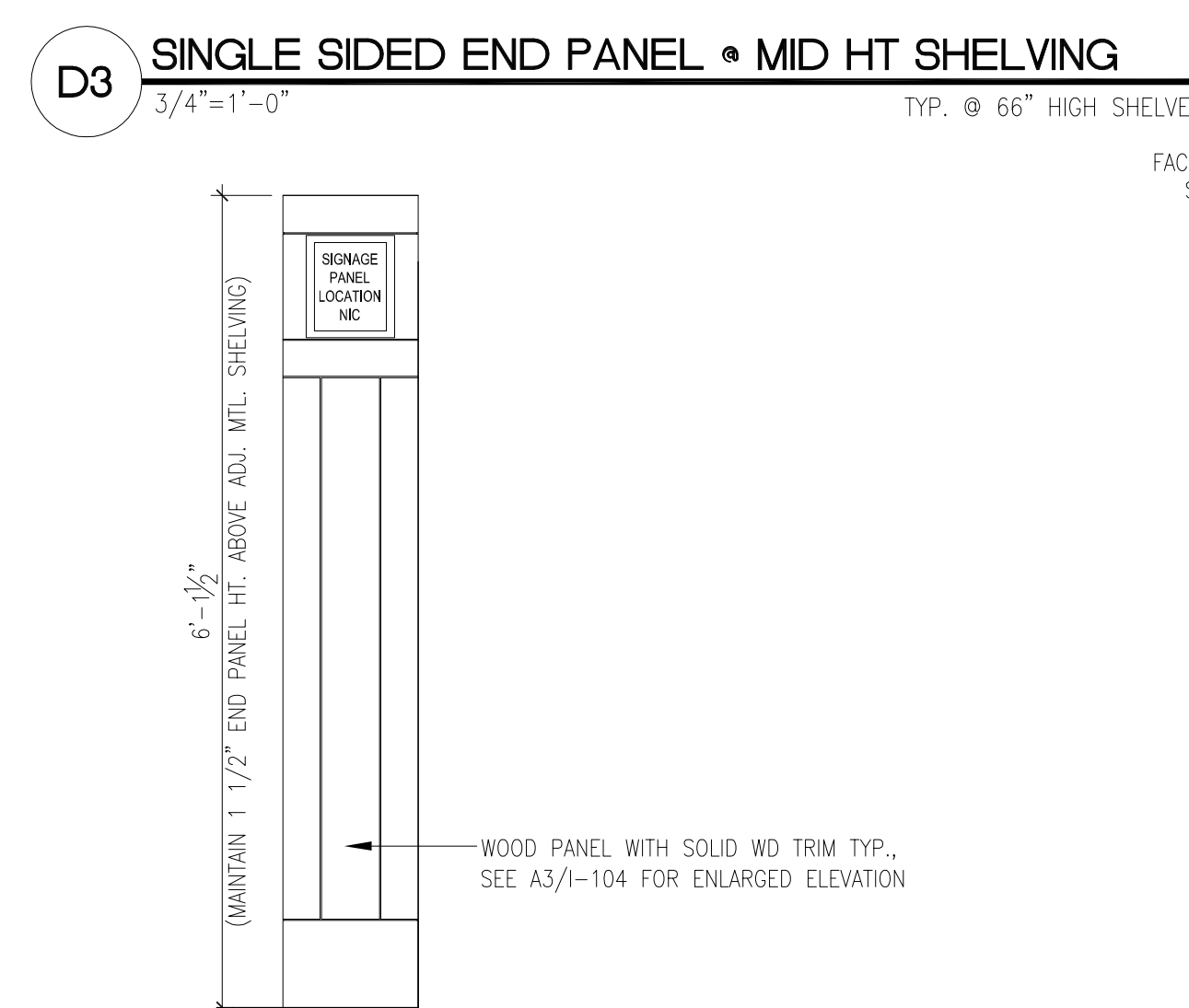
D3 SINGLE SIDED END PANEL • MID HT SHELVING
3/4"=1'-0" TYP. @ 66" HIGH SHELVES



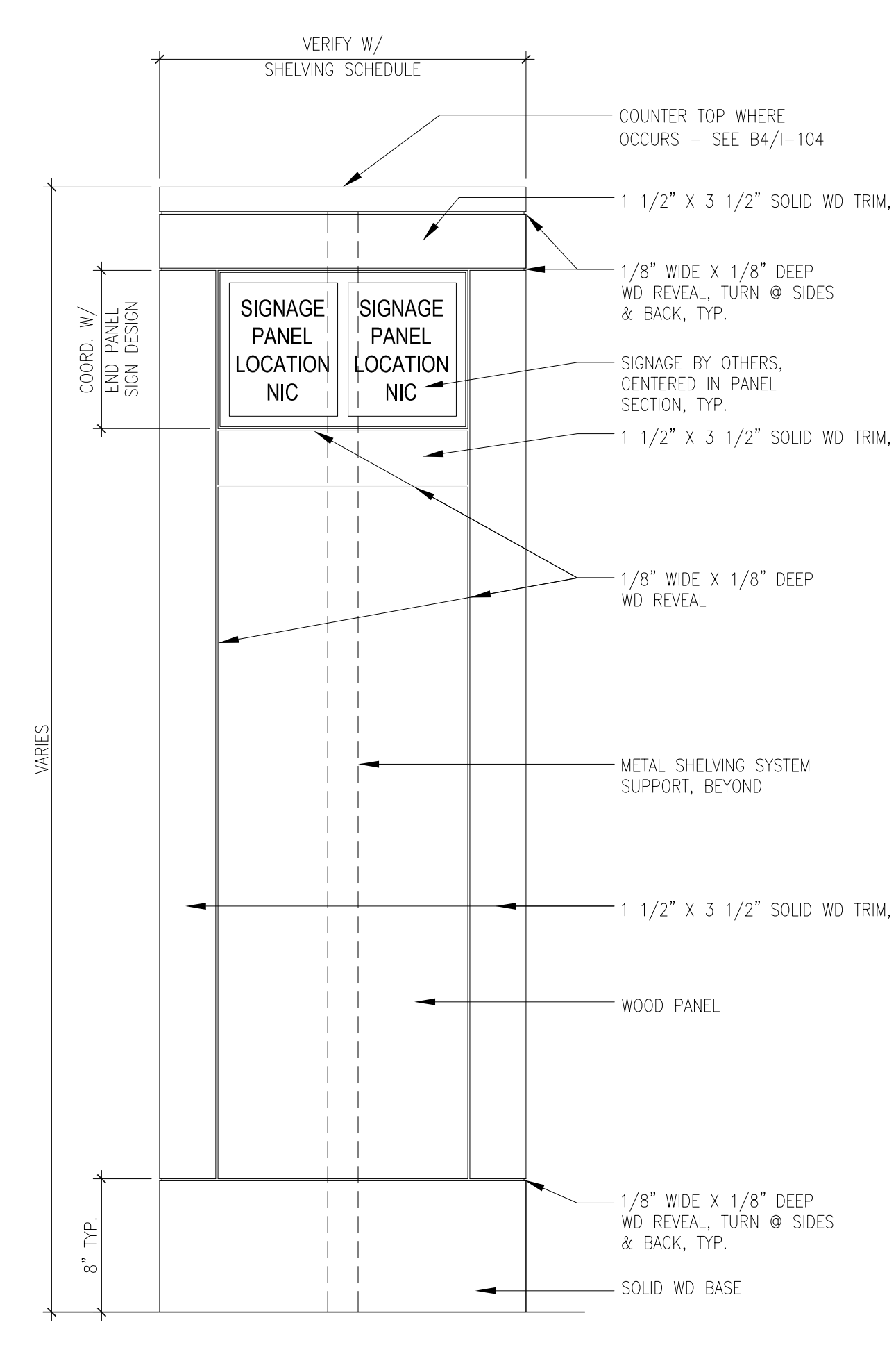
D4 MID HT SHELVING - SECTION
3/4"=1'-0" TYP. @ 66" HIGH SHELVES



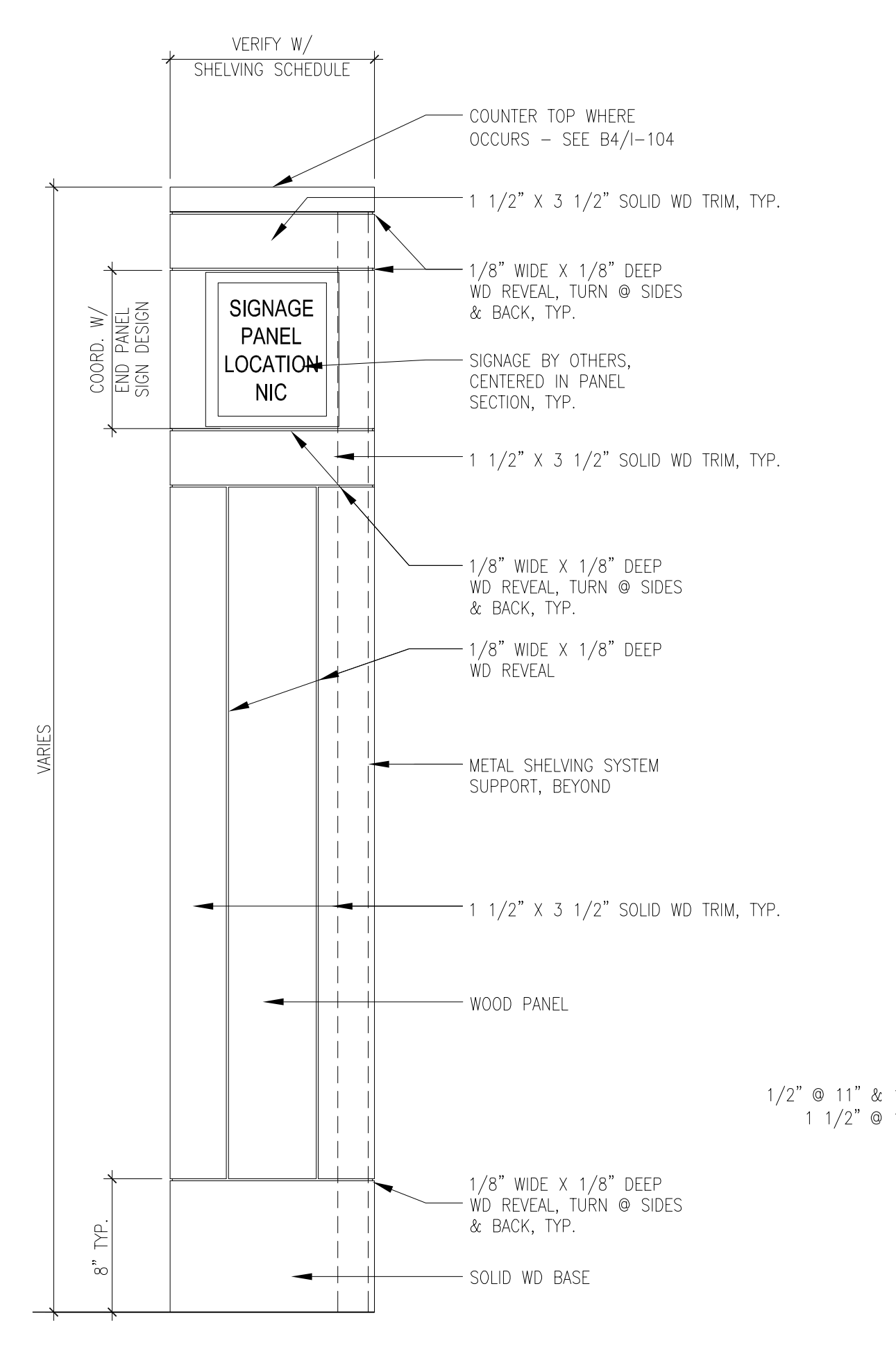
C3 SINGLE SIDED END PANEL • FULL HT SHELVING
3/4"=1'-0" TYP. @ 72" HIGH SHELVES



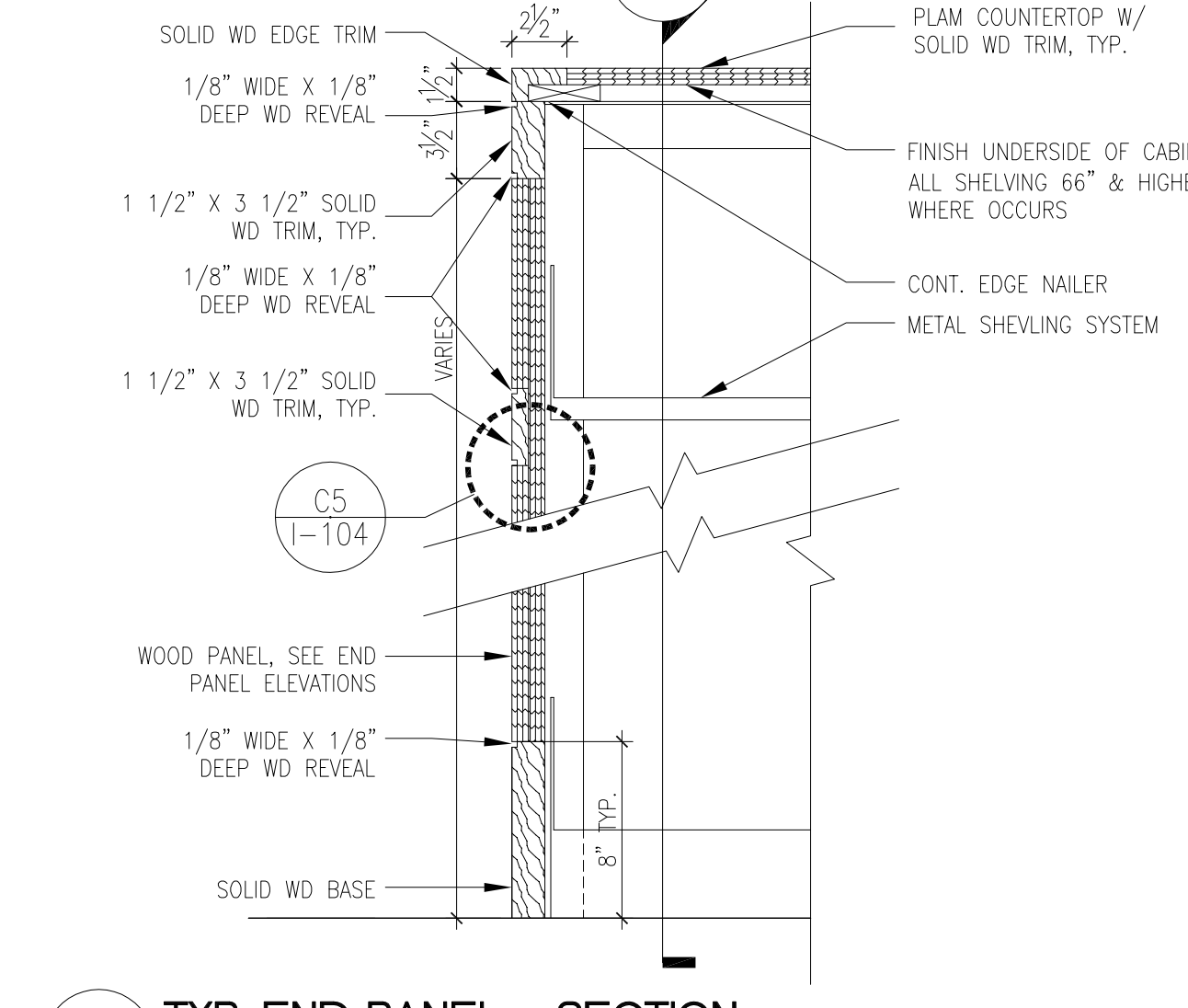
C4 FULL HT SHELVING - SECTION
3/4"=1'-0" TYP. @ 72" HIGH SHELVES



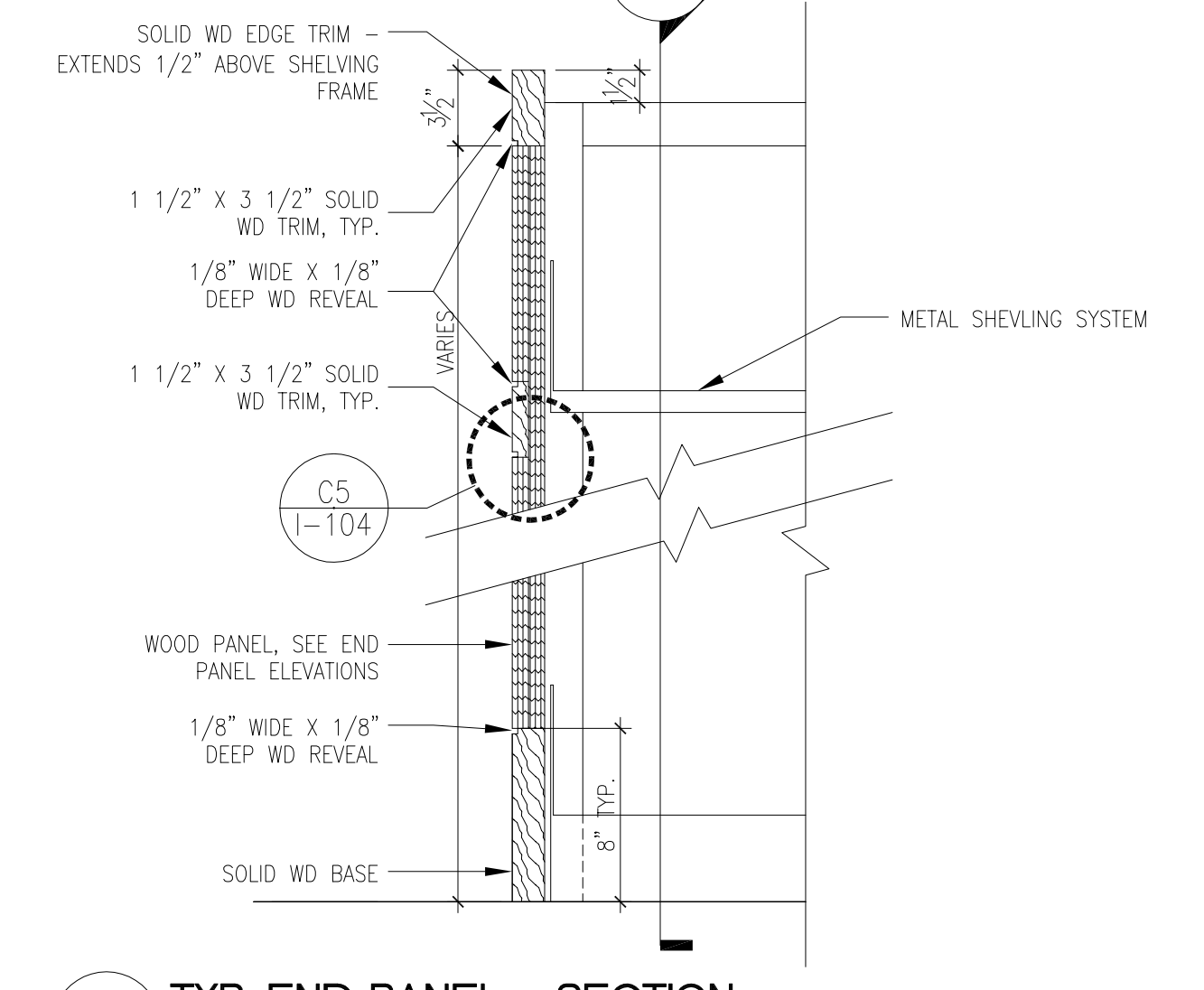
A2 TYP. END PANEL - ENLARGED ELEVATION
1 1/2"=1'-0"



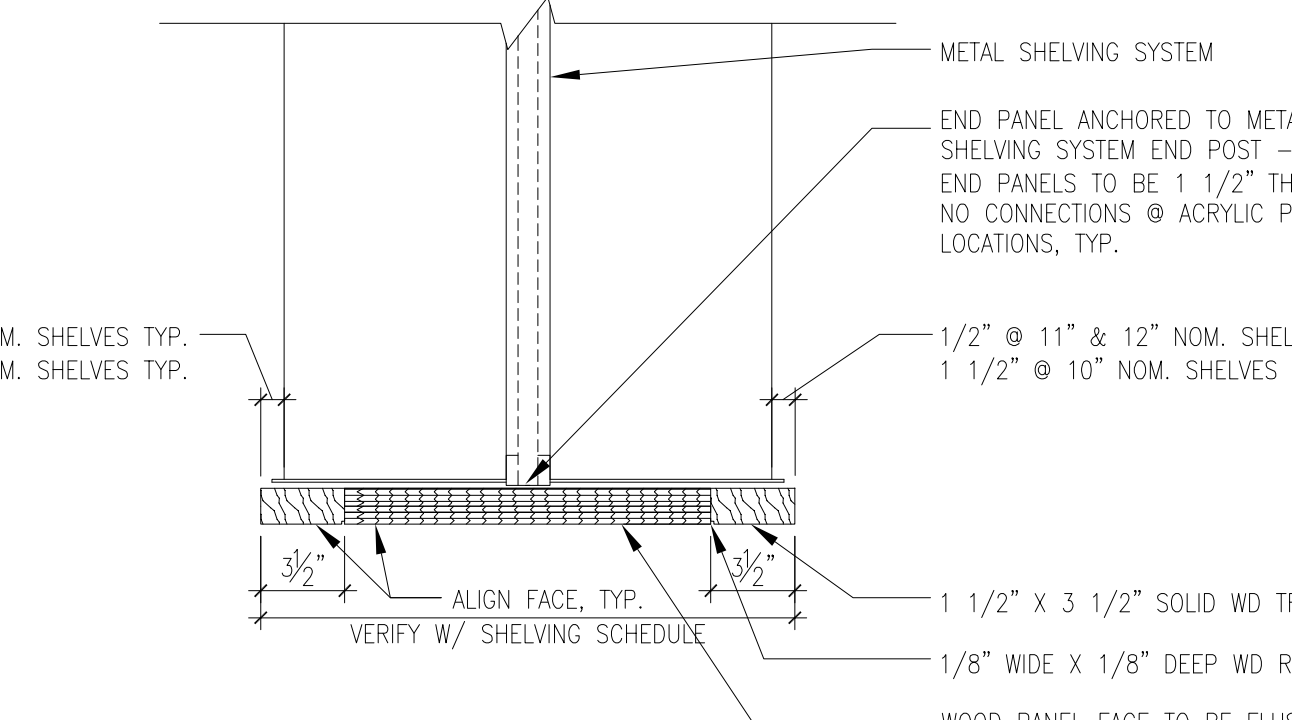
A3 SINGLE SIDED END PANEL - ENLARGED ELEVATION
1 1/2"=1'-0"



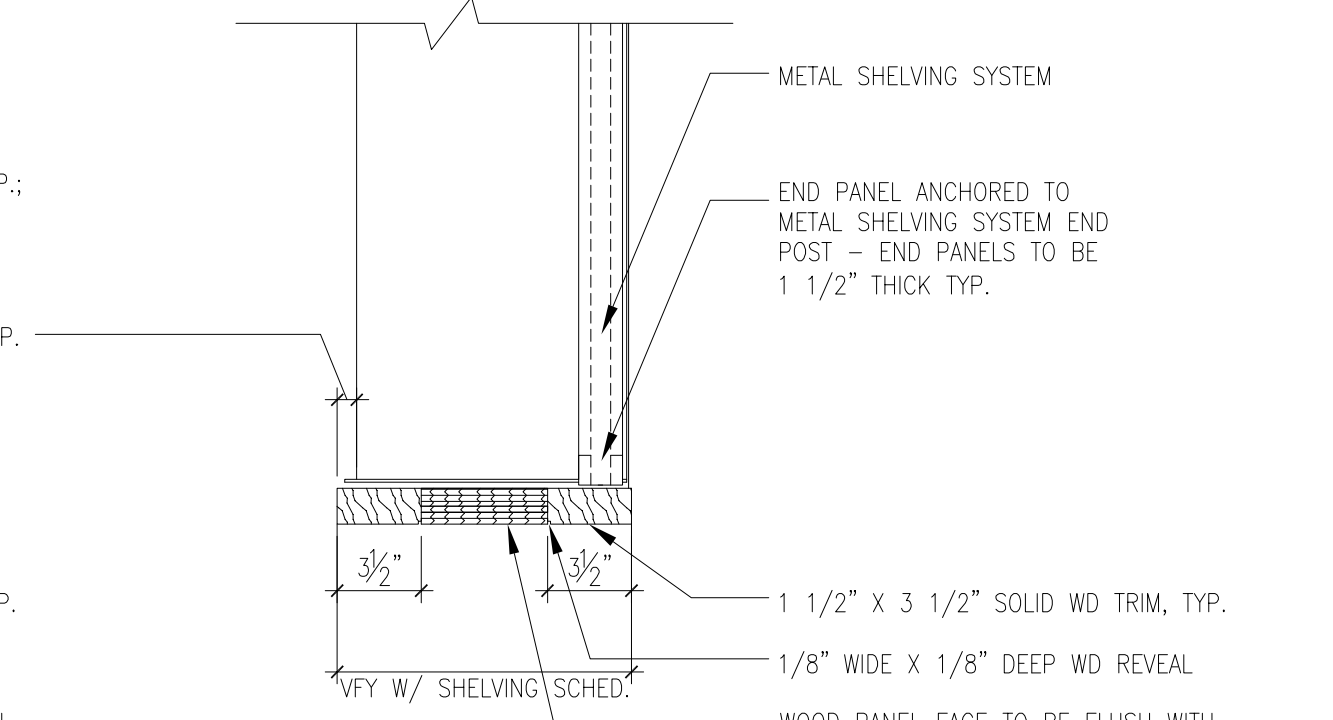
B4 TYP. END PANEL - SECTION
1 1/2"=1'-0"



B5 TYP. END PANEL - SECTION
1 1/2"=1'-0"



A4 TYP. PANEL INSERT • END PANEL - PLAN
1 1/2"=1'-0"



A5 PANEL INSERT • SINGLE SIDED END PANEL - PLAN
1 1/2"=1'-0"

MARK	DATE	DESCRIPTION
NAMPA PUBLIC LIBRARY LIBRARY SQUARE NAMPA, IDAHO 83651		
CITY OF NAMPA, IDAHO		
APPROVED:		TA
DRAWN:		BRK
DATE:		04/25/14
PROJECT NUMBER:		24-01-12