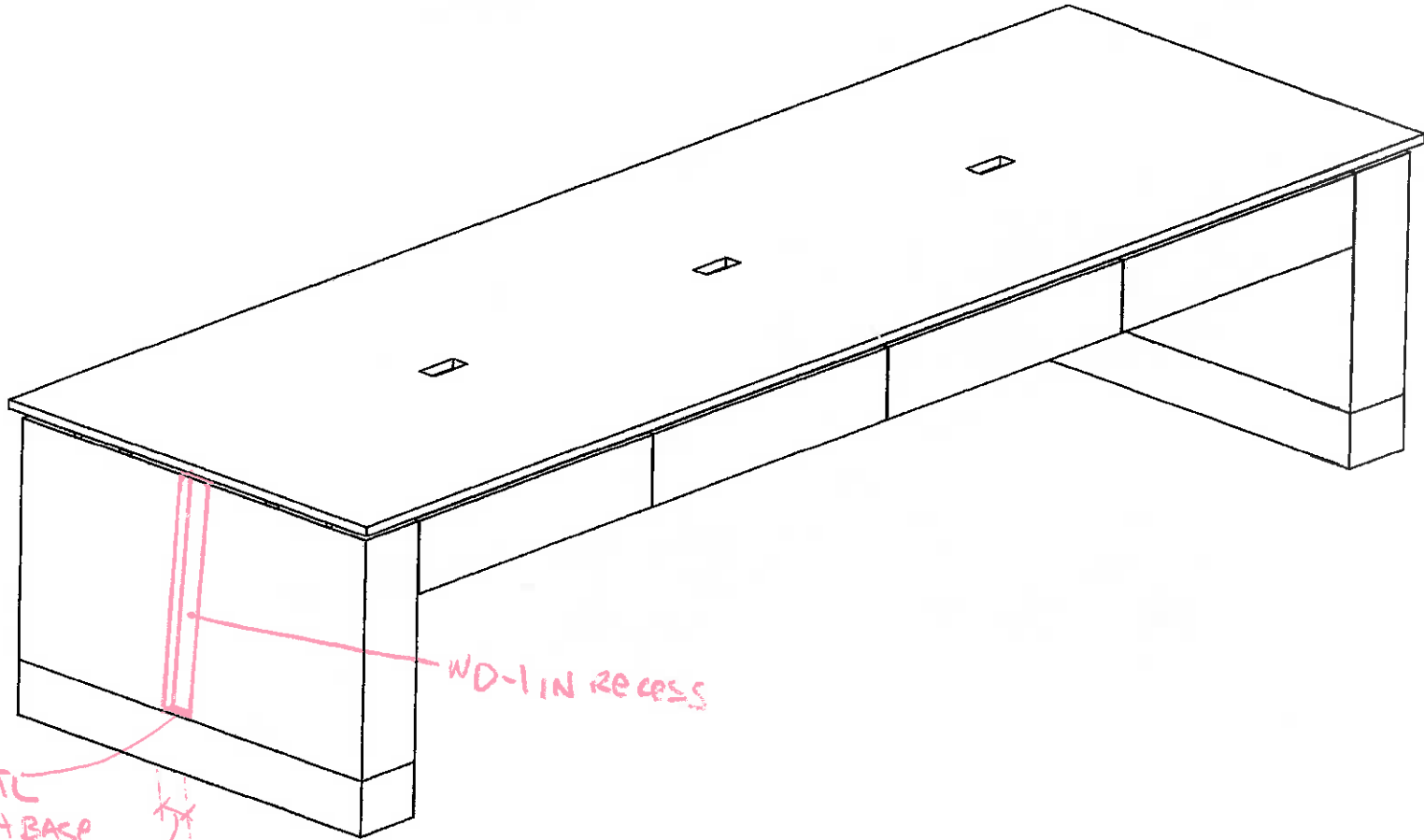


SEE
NOTES
14X

**DURA-TOP
INDUSTRIES, INC.**
P.O. Box 908 Emmett, ID 83617
(208) 366-6921 (208) 366-6763 FAX

Nampa Public Library
Nampa, ID

Project	
Dwg 381 Check Counter	
Scale: 1/2"=1'-0"	
Date	
11-4-2013	
Revisions	
Drawn	Check
ADD	
Room #	Job No.
106	5304
Page	
14	



PTD MTL
TO MATCH BASE

2"

BOTH ENDS

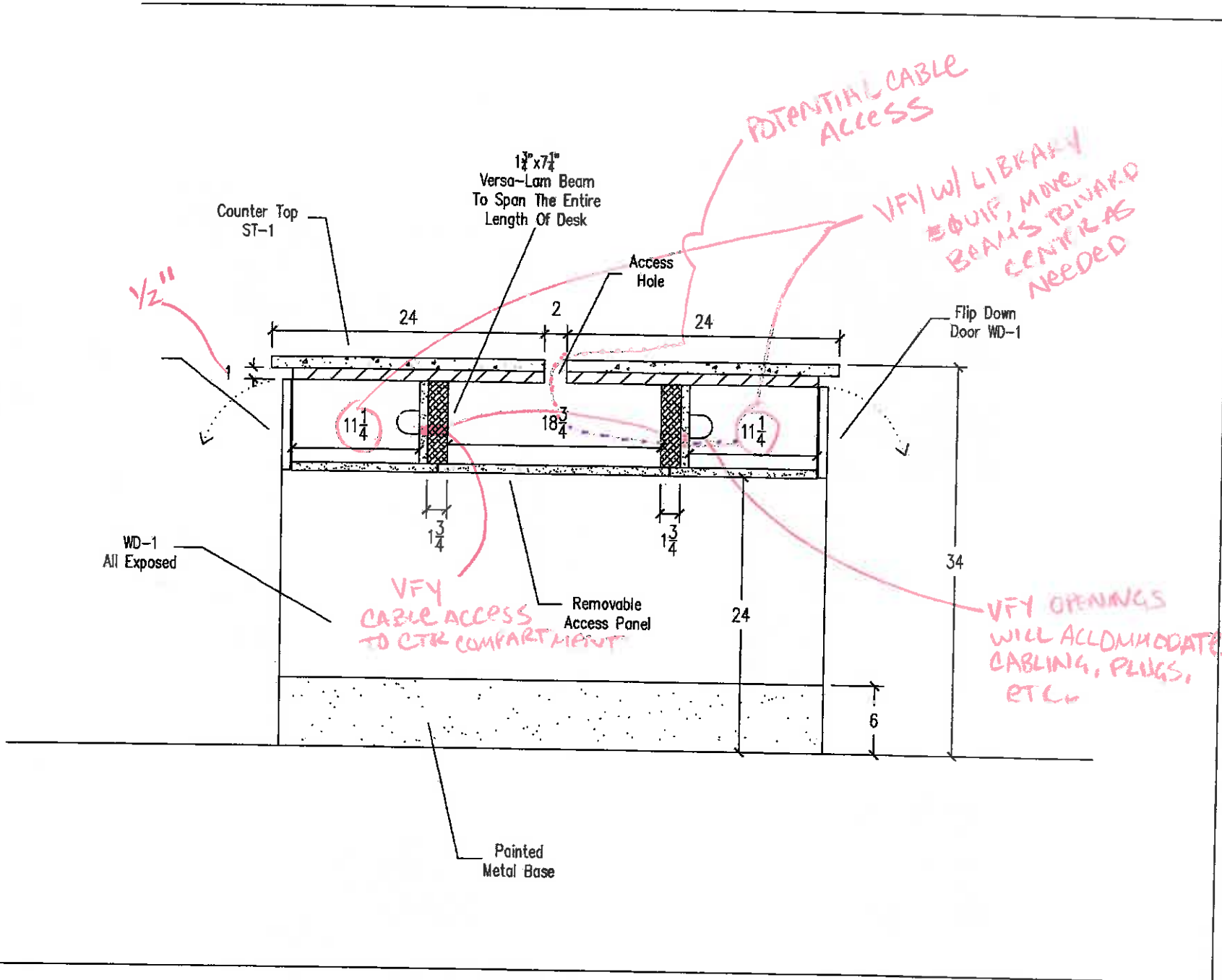
WD-1 IN RECESS

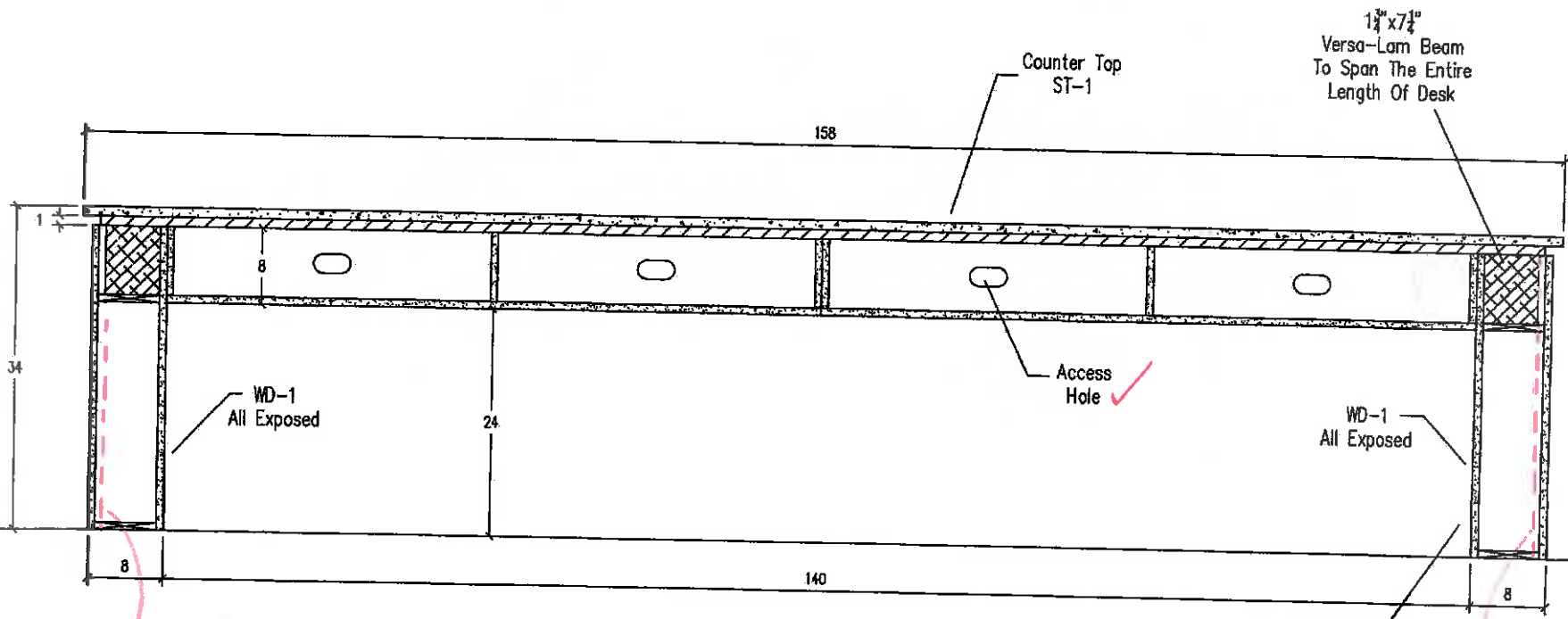
**DURA-TOP
INDUSTRIES, INC.**
P. O. Box 908 Emmett, ID 83617
(208) 365-6921 (208) 365-6763 FAX

Nampa Public Library
Nampa, ID

Project	
Self Check Counter	
Scale: 1"=1'-0"	
Date 11-4-2013	
Revisions	
Drawn	Check
ADD	
Room #	Job No.
106	5304
Page 14A	

Project	
DWG:	Detail
Scale:	1-1/2"=1'-0"
Date:	11-4-2013
Revisions	
Drawn	Check
ADD	
Room #	Job No.
	5304
Page	
D.15	





**DURA-TOP
INDUSTRIES, INC.**
P.O. Box 908 Emmett, ID 83617
(208) 365-6921 / (208) 365-6763 FAX

Nampa Public Library
Nampa, ID

Project	
DWG:	Detail
Scale:	1"=1'-0"
Date:	11-4-2013
Revisions	
Drawn	Check
ADD	
Room #	Job No.
	5304
Page	
D.16	

*RECESS,
SEE 14A*

SEE 14A