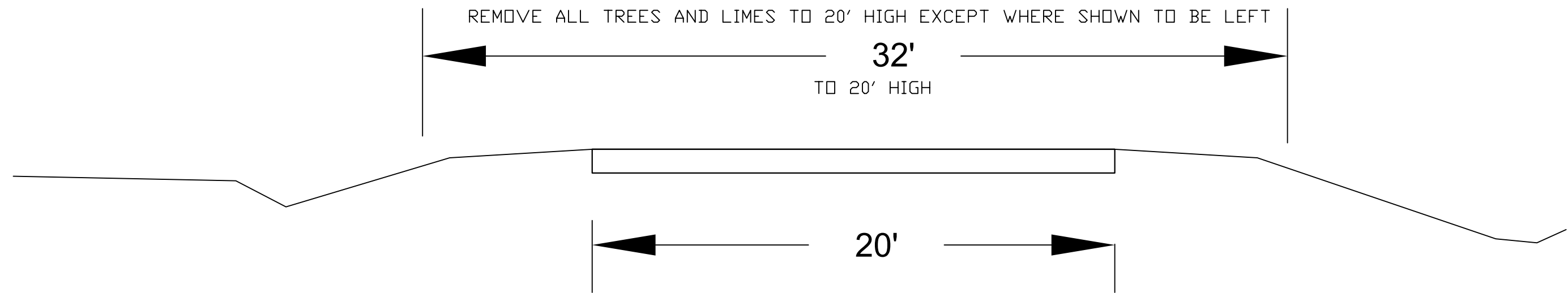


**TYPICAL ROADWAY STRIPING**



**CLEARING AND GRUBBING**

REVISIONS			
REVISION #	BY: INITIALS	DATE	DESCRIPTION
0	LRA	June 20, 2017	ORIGINAL ISSUE
1	LRA	JuLY 21, 2017	Paving & Striping Reduced as shown by 2 feet

ENGINEER OF RECORD

LARRY ALVAREZ, P.E.  
#58542

JACKSON COUNTY  
BOARD OF COUNTY COMMISSIONERS

PROJECT: Circle Hill Road

Typical Strip  
and Clearing  
Sections

SHEET

C - 4