

PERMANENT TRENCH PATCH 2" HOT MIX ASPHALT TOP SHALL BE PAVED WITH MECHANICAL PAVER.

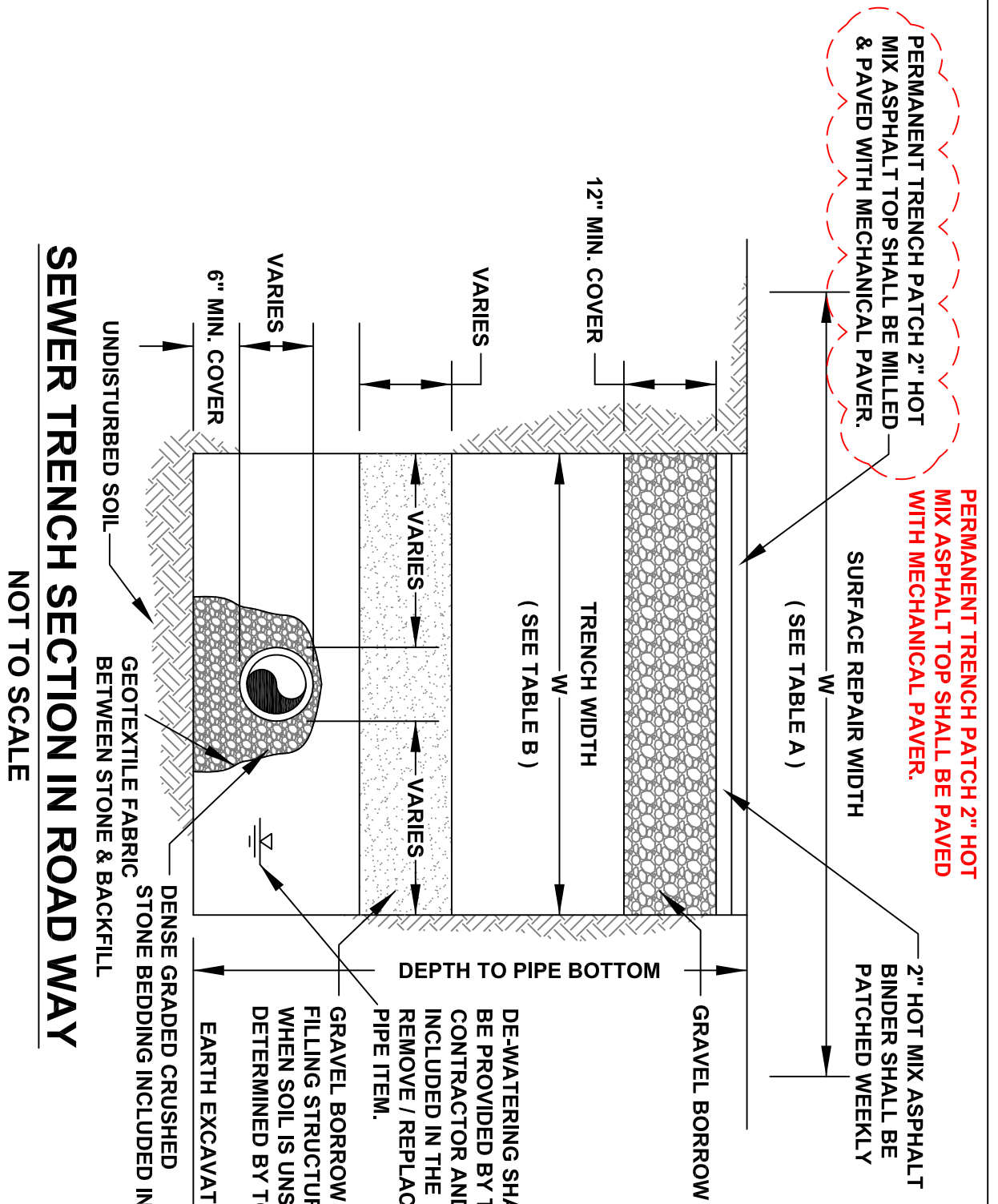
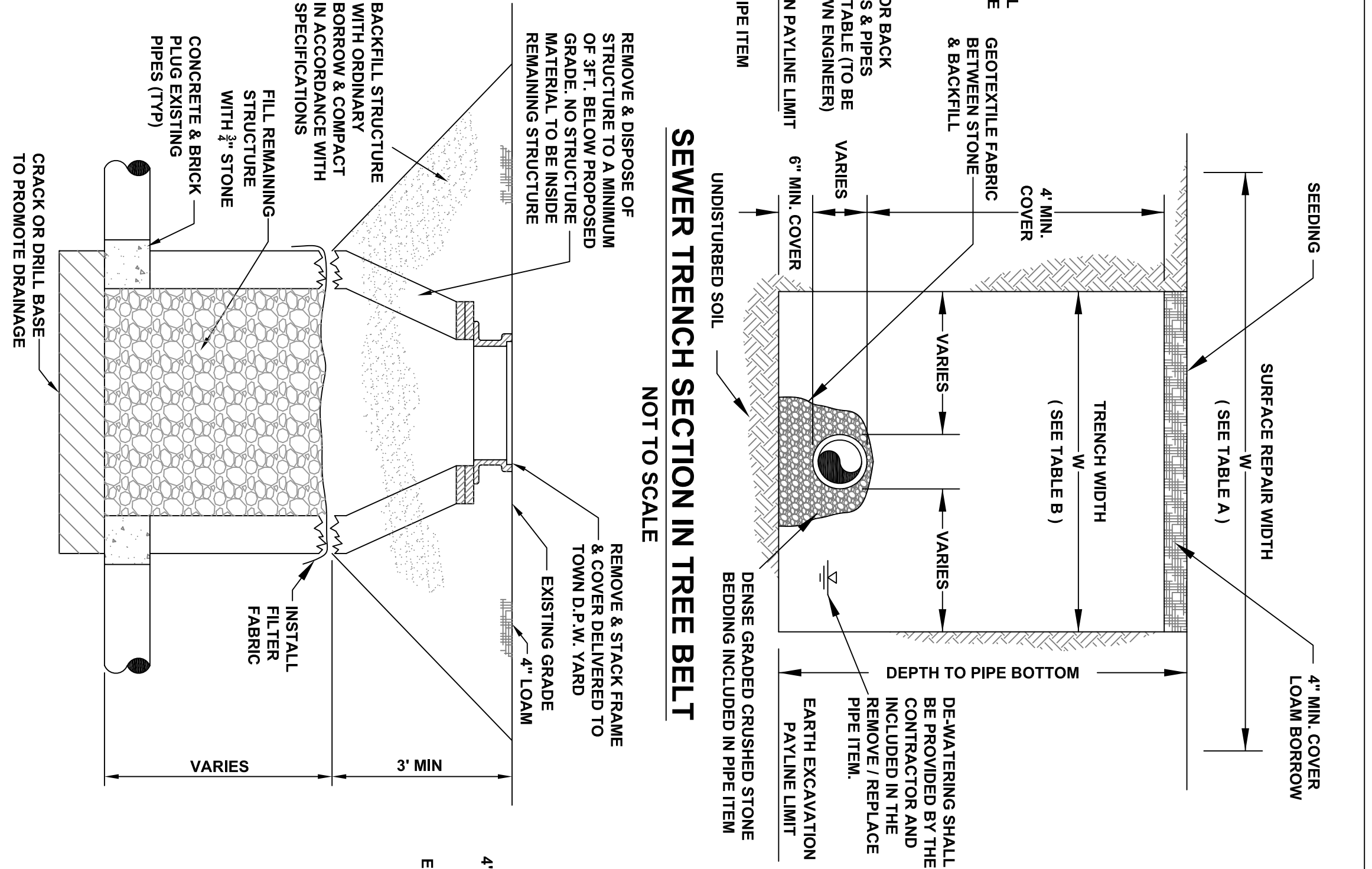


TABLE A-MAXIMUM SURFACE REPAIR PAY WIDTHS (SEE NOTE 3)

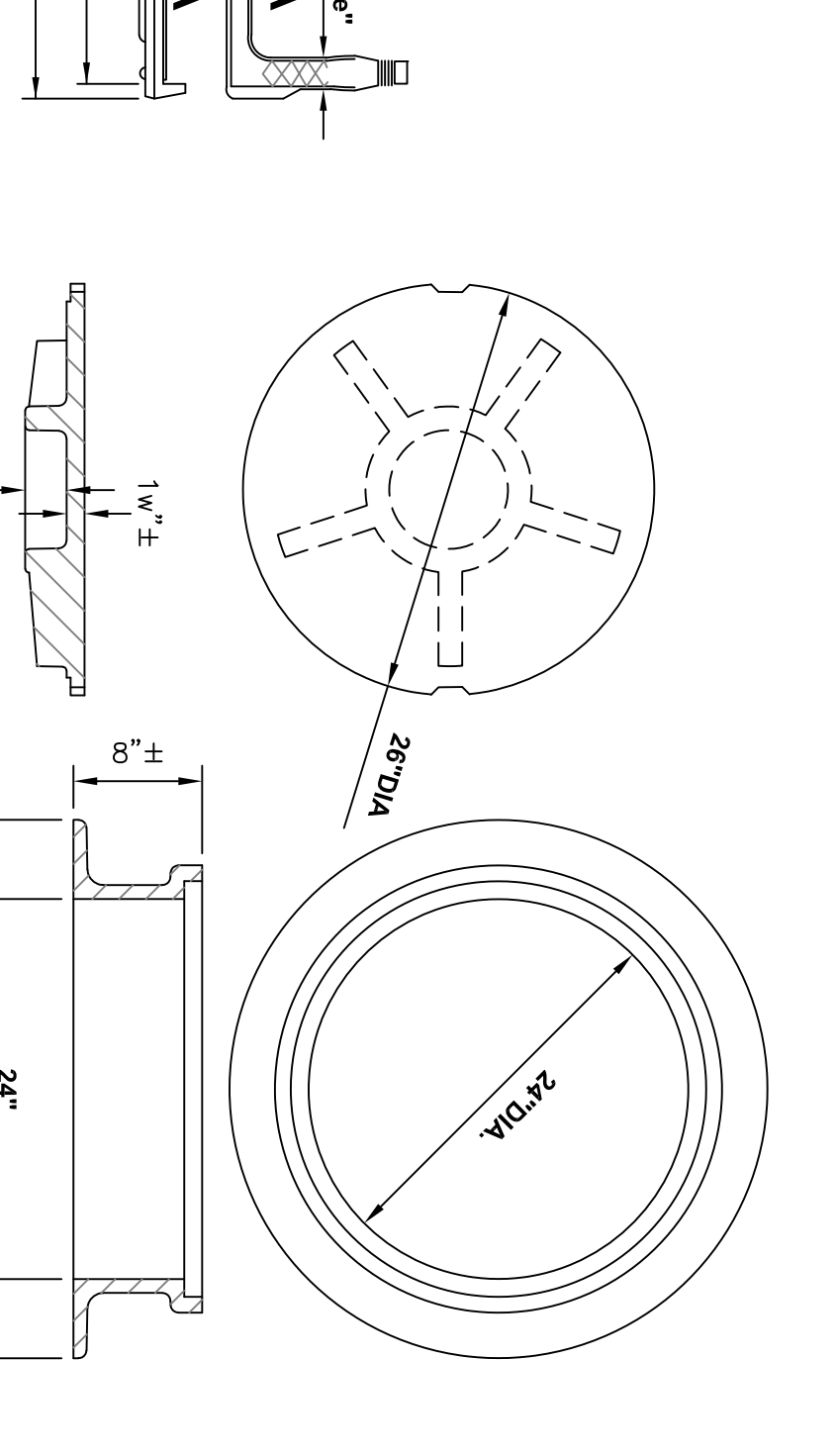
TABLE B-MAXIMUM TRENCH REPAIR PAY WIDTHS (SEE NOTE 3)	TEMP 6'-0"
7'-0" MAX.	

- NOTES:**
1. INCLUDES TEMPORARY PAVEMENT PATCHES FOR SIDEWALKS AND DRIVEWAYS.
 2. INCLUDES PERMANENT REPAIRS FOR DRIVEWAYS, SIDEWALKS, LAWN AREAS (LOAM & SEED), BERM, AND CURBS.
 3. THE PAYLINE DIMENSIONS SHOWN REPRESENT THE MAXIMUM PAYLINE LIMITS TO BE PAID. WHEN THE ACTUAL SURFACE REPAIR OR TRENCH WIDTH IS LESS, THE ACTUAL WIDTH SHALL BE PAID FOR AT THE APPLICABLE UNIT PRICE.

TRENCH EXCAVATION AND SURFACE REPAIR PAYLINES



SANITARY MANHOLE ABANDONMENT



- NOTES:**
1. FRAME AND COVER SHALL BE PROVIDED FROM THE SAME MANUFACTURER.
 2. LETTERING SHALL BE CAST INTO COVERS AS SPECIFIED.

STANDARD MANHOLE COVER
MINIMUM WEIGHT: 200 LBS.

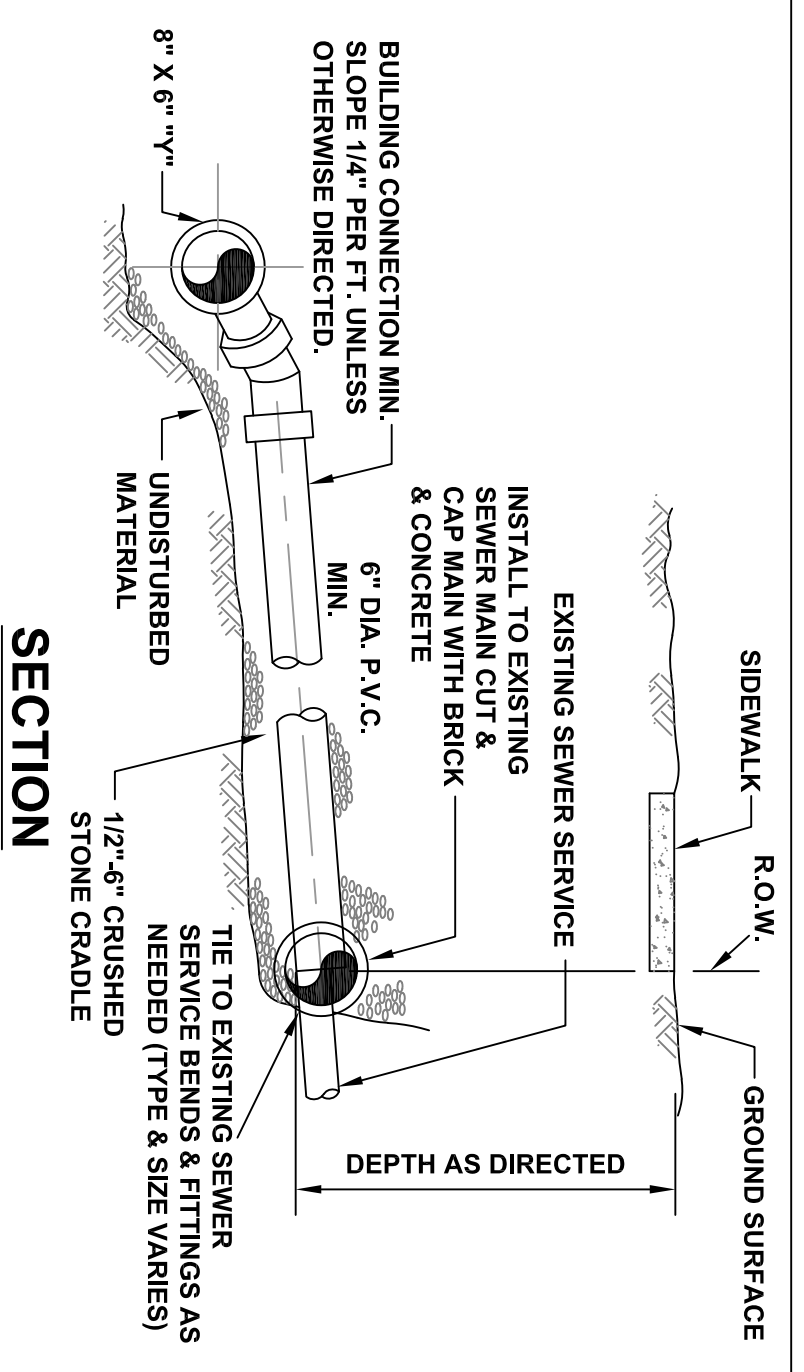
STANDARD MANHOLE FRAME
MINIMUM WEIGHT: 240 LBS.

48" PRECAST SANITARY SEWER MANHOLE

STANDARD MANHOLE RING

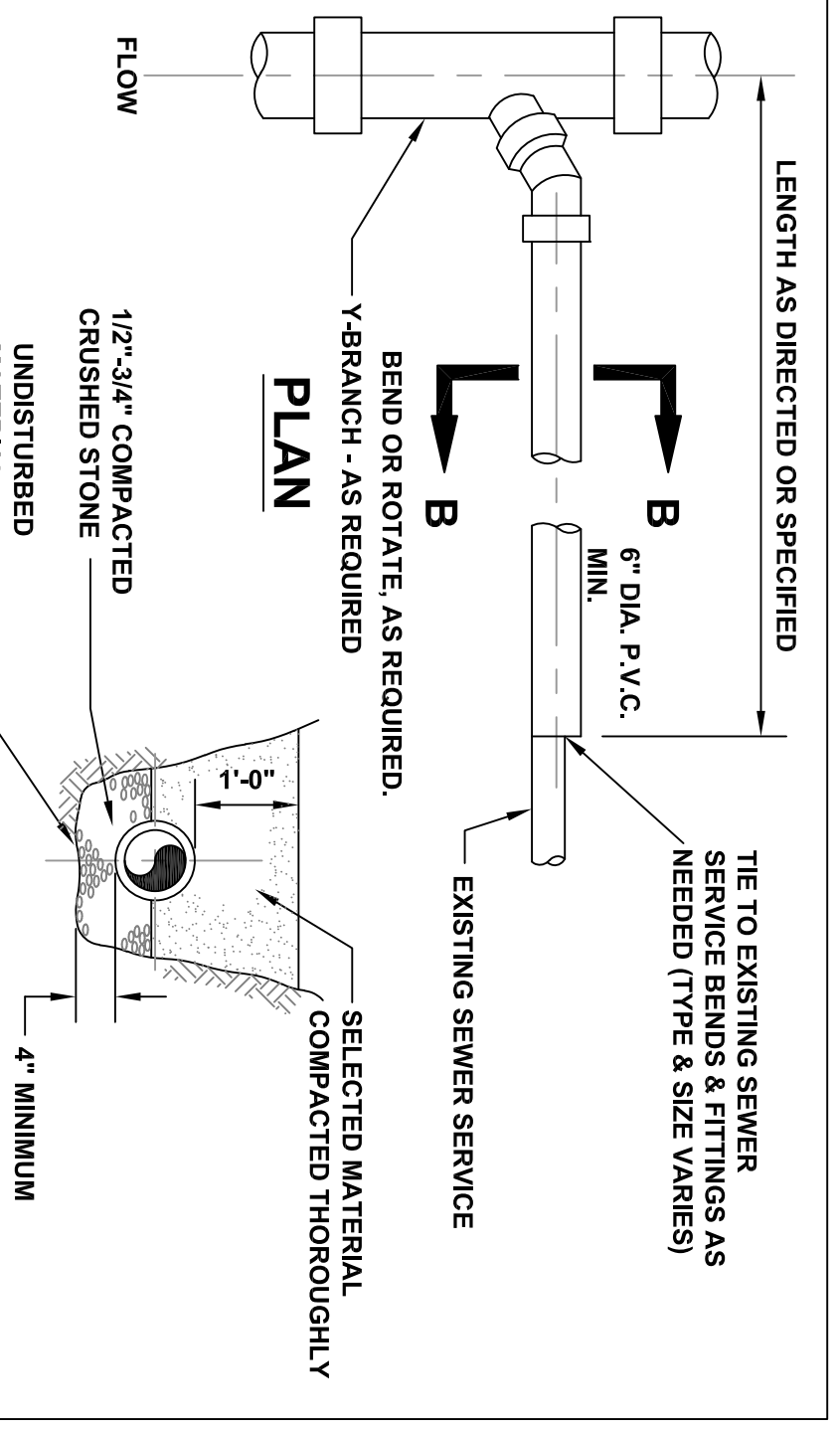
MANHOLE FRAME & COVER

PROP. SMH INVERT



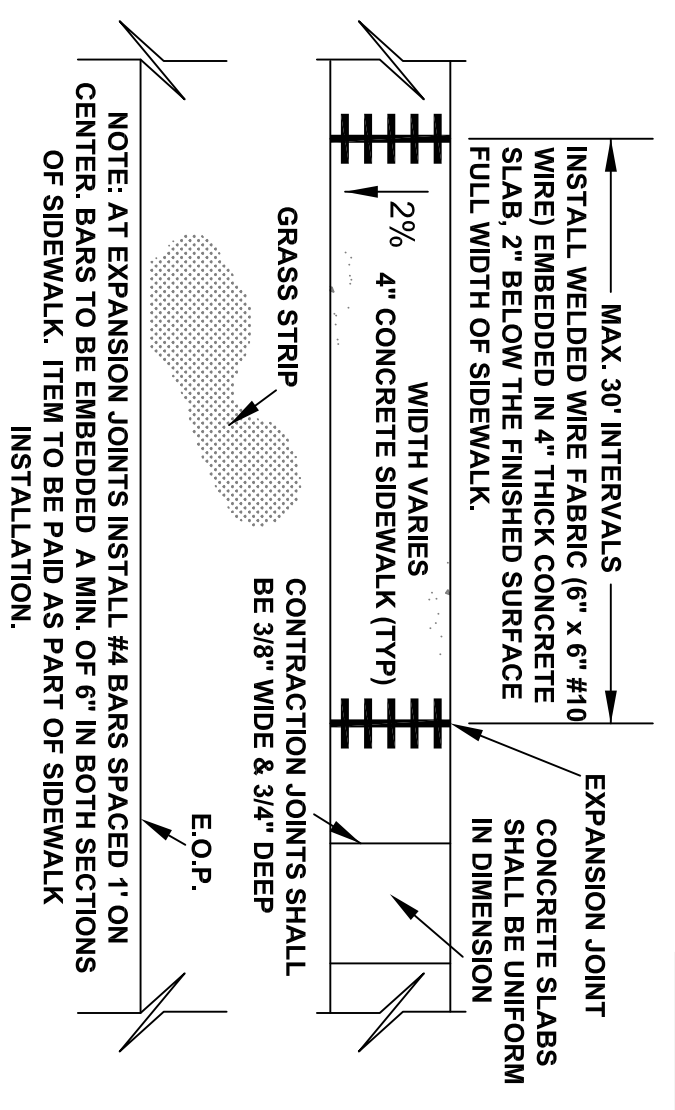
TYPICAL BUILDING CONNECTION

SECTION B-B



CONCRETE SIDEWALK DETAIL PLAN VIEW

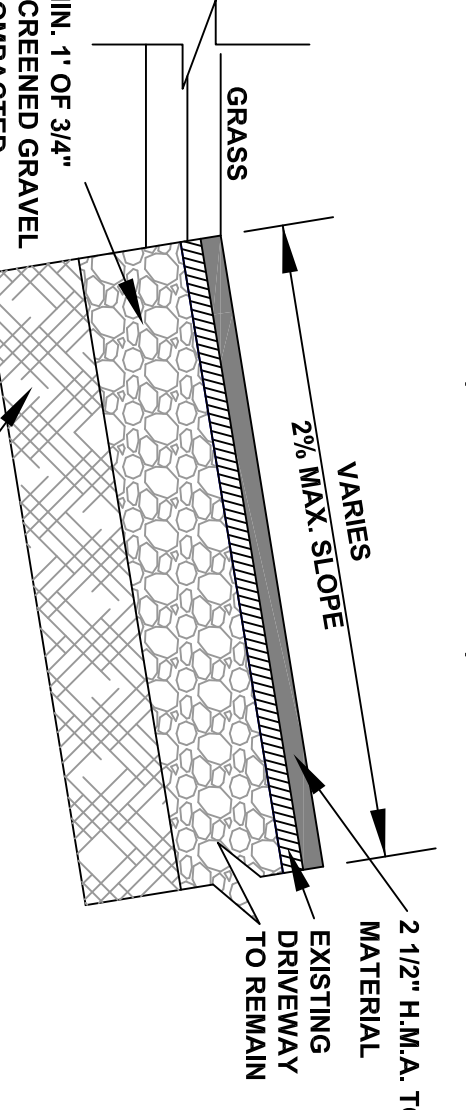
(SCALE: N.T.S.)



4" MIN. CONCRETE SIDEWALK. THE CONCRETE MIX IS TO CONFORM TO THE FOLLOWING SPECIFICATIONS AS SET FORTH BY THE MASSACHUSETTS DEPARTMENT OF PUBLIC WORKS IN THEIR STANDARD SPECIFICATIONS FOR HIGHWAYS AND BRIDGES, 1988 EDITION AS AMENDED. CEMENT CONCRETE (AIR ENTRAINED 4000 PSI, 3/4" 610) M4.02.00

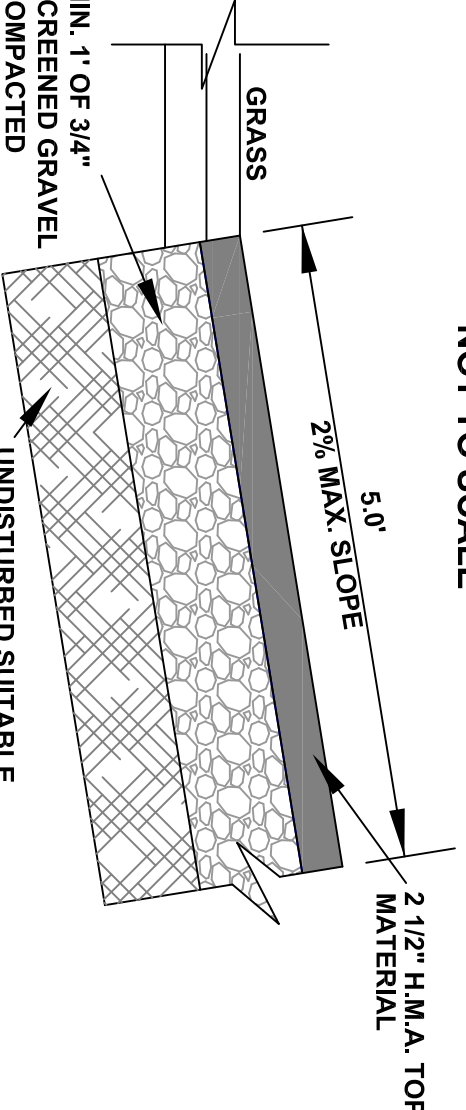
HOT MIX ASPHALT DRIVEWAY DETAIL

NOT TO SCALE

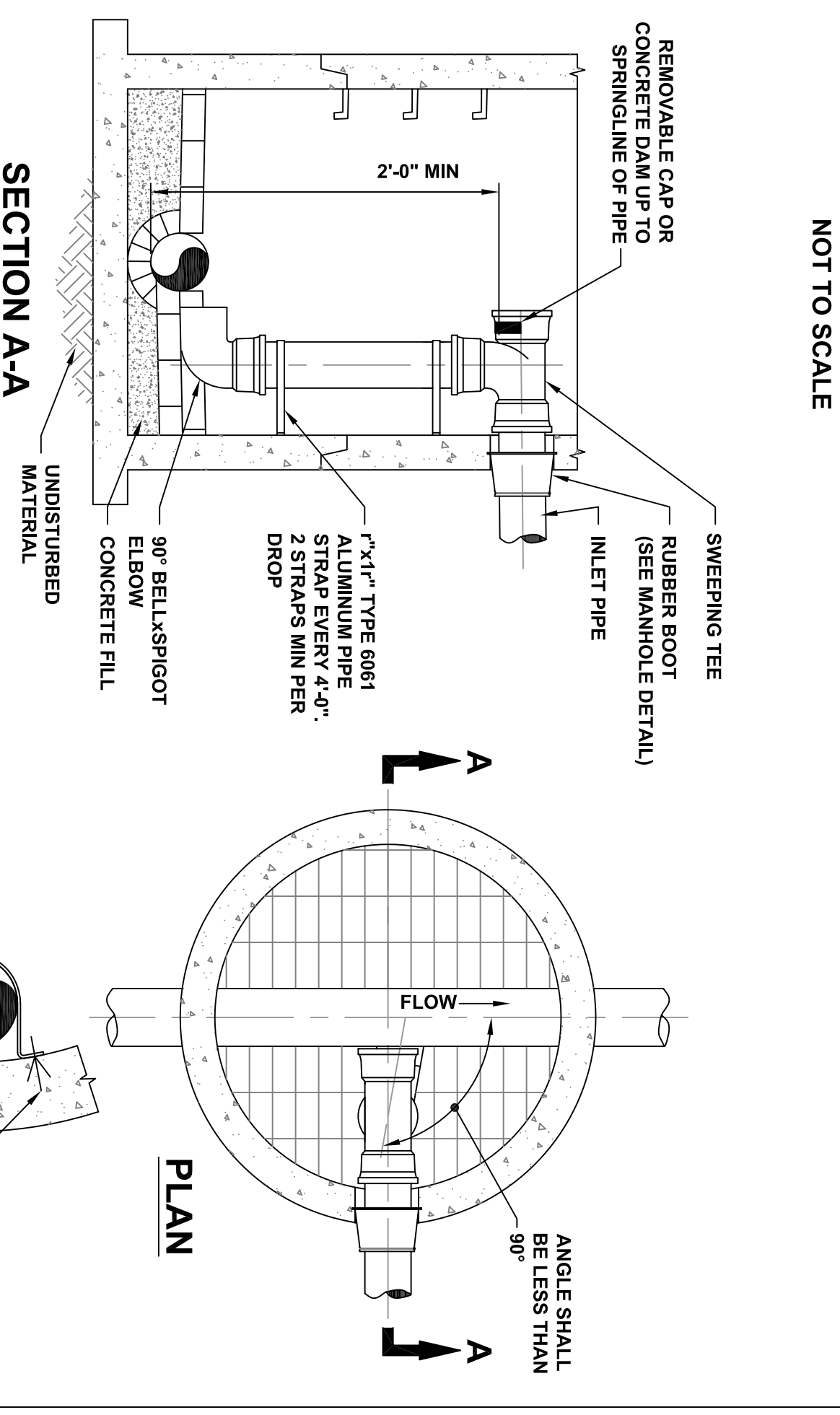


HOT MIX ASPHALT SIDEWALK DETAIL

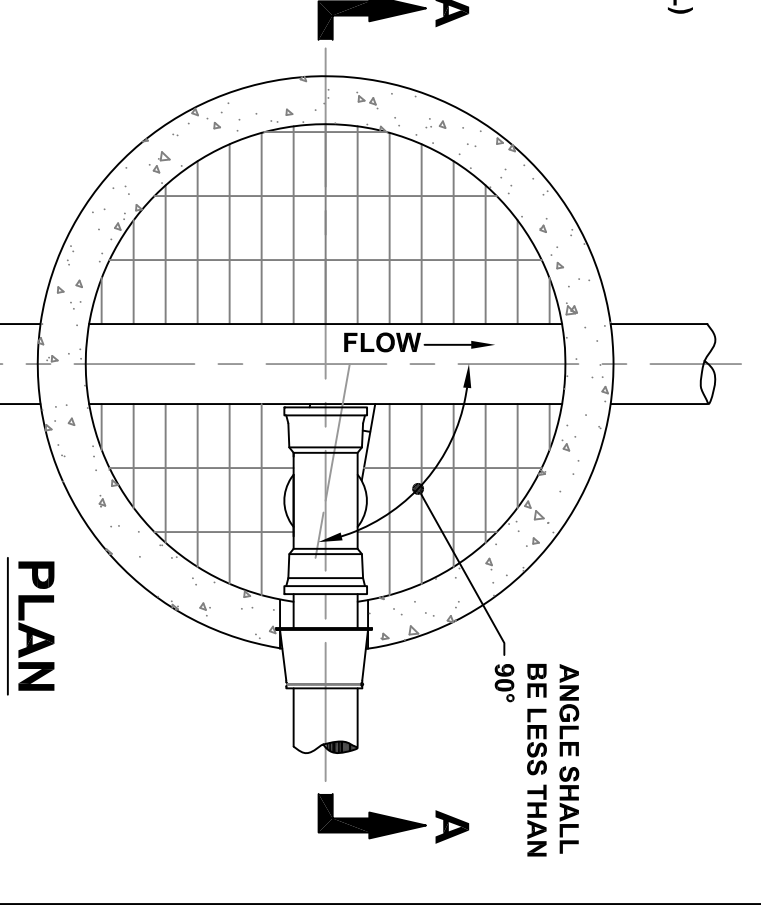
NOT TO SCALE



SECTION A-A



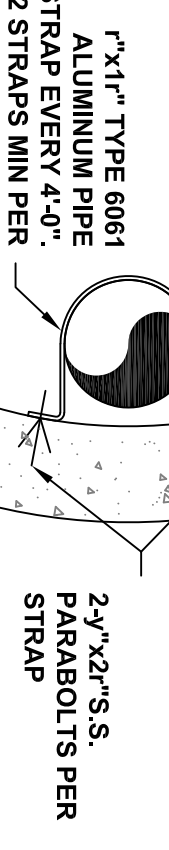
PLAN



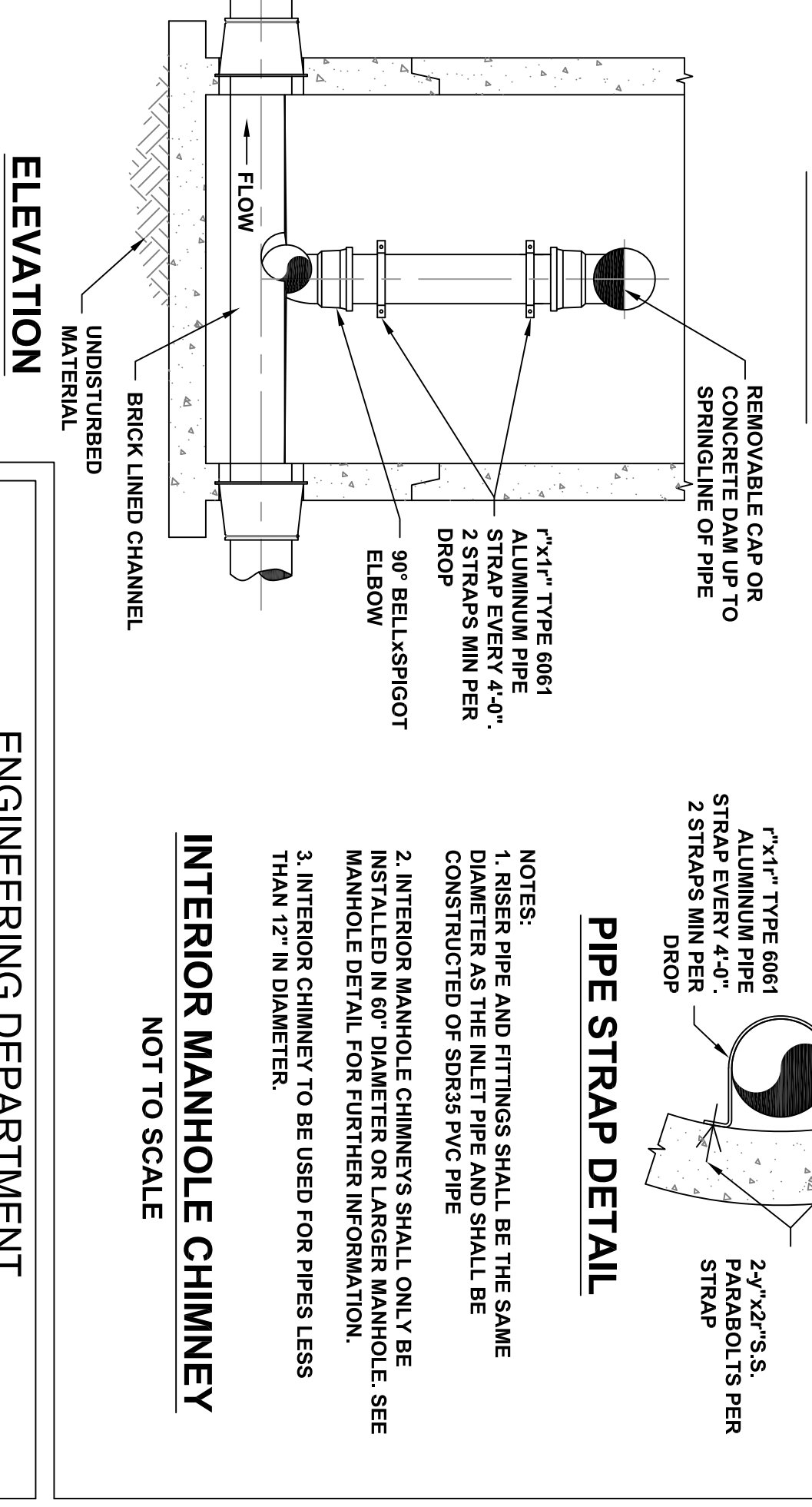
PIPE STRAP DETAIL

NOTES:

1. RISER PIPE AND FITTINGS SHALL BE THE SAME DIAMETER AS THE INLET PIPE AND SHALL BE CONSTRUCTED OF SDR35 PVC PIPE.
2. INTERIOR MANHOLE CHIMNEYS SHALL ONLY BE INSTALLED IN 60" DIAMETER OR LARGER MANHOLE. SEE MANHOLE DETAIL FOR FURTHER INFORMATION.
3. INTERIOR CHIMNEY TO BE USED FOR PIPES LESS THAN 12" IN DIAMETER.



ELEVATION



ENGINEERING DEPARTMENT
LONGMEADOW, MASSACHUSETTS

MISCELLANEOUS
SEWER DETAILS