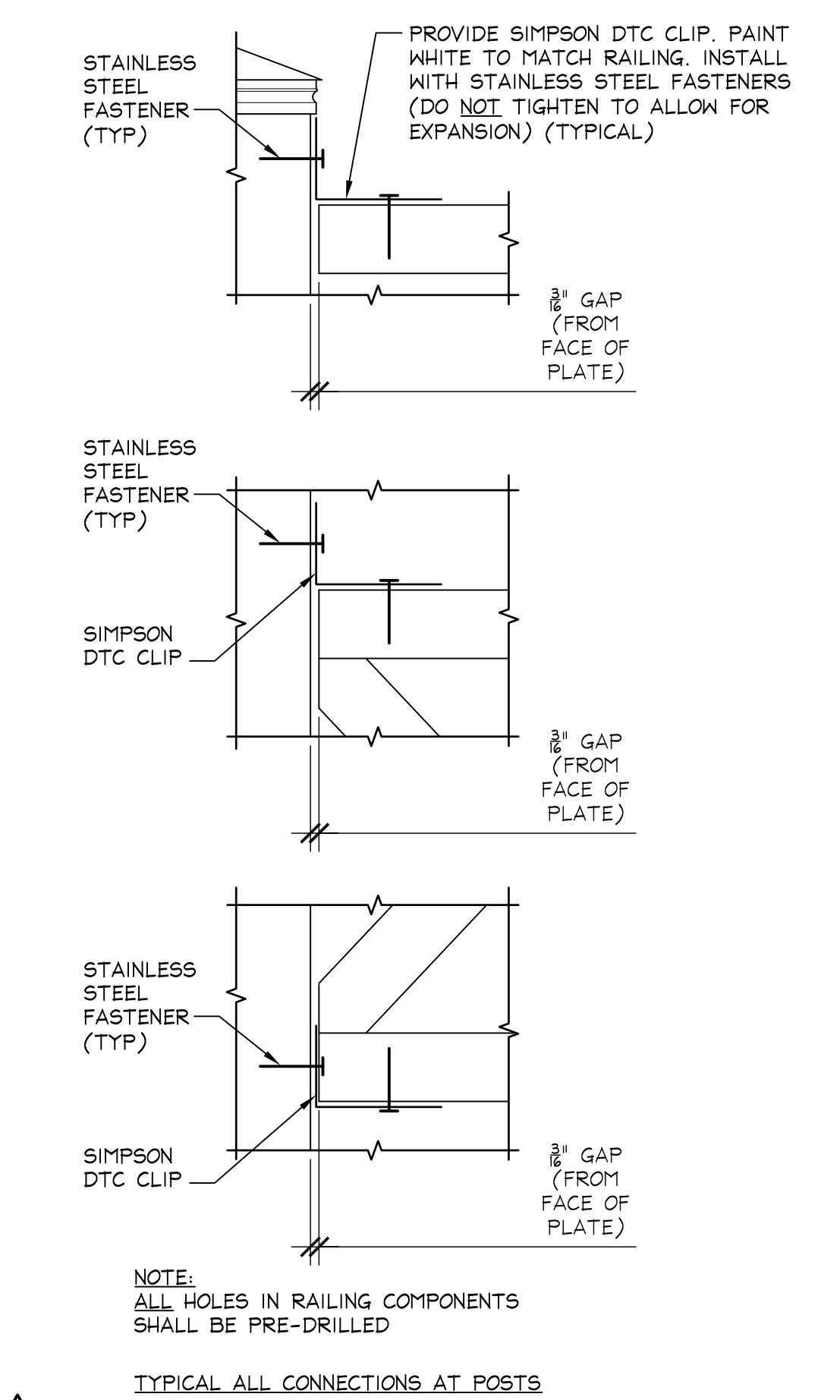
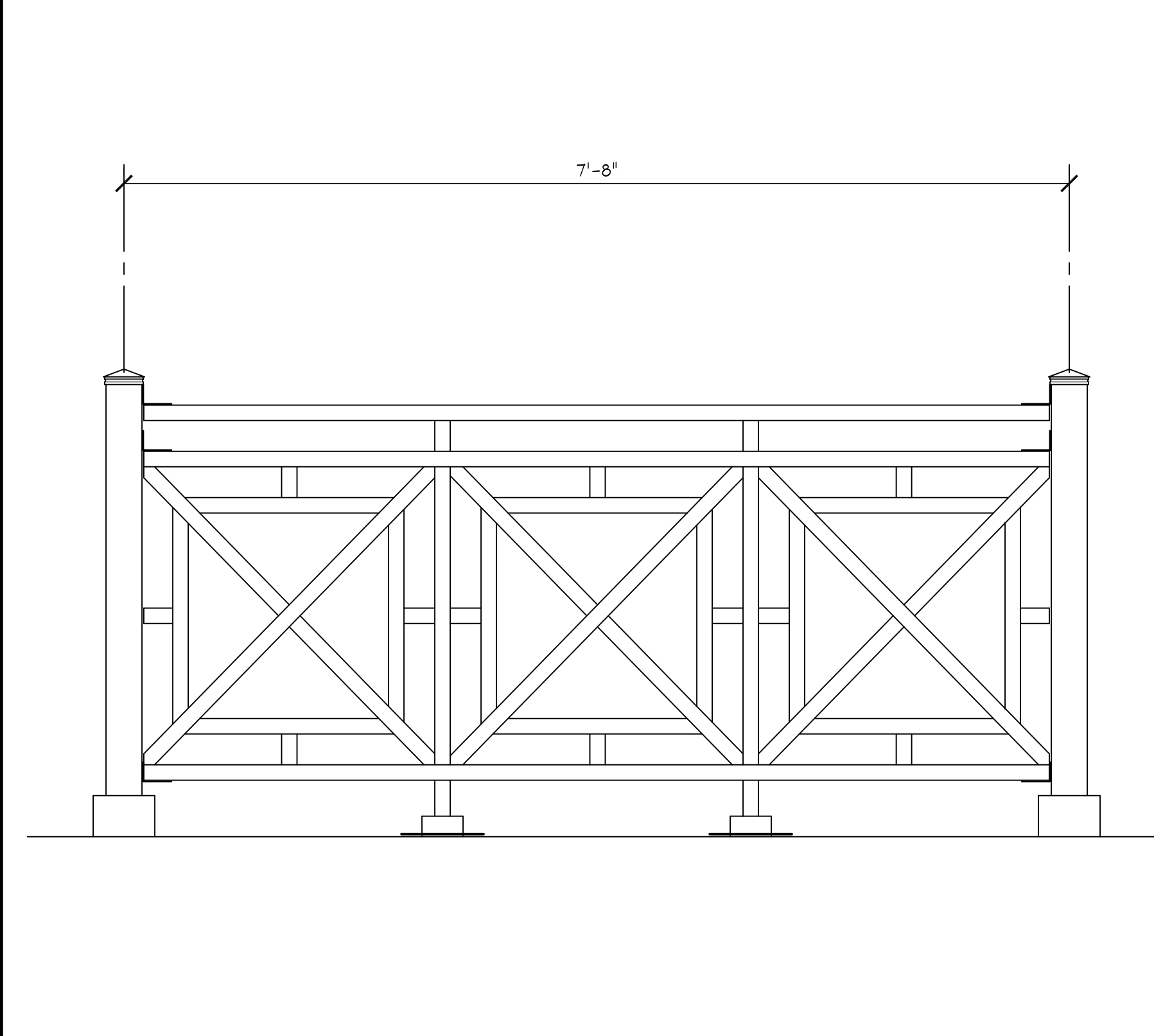
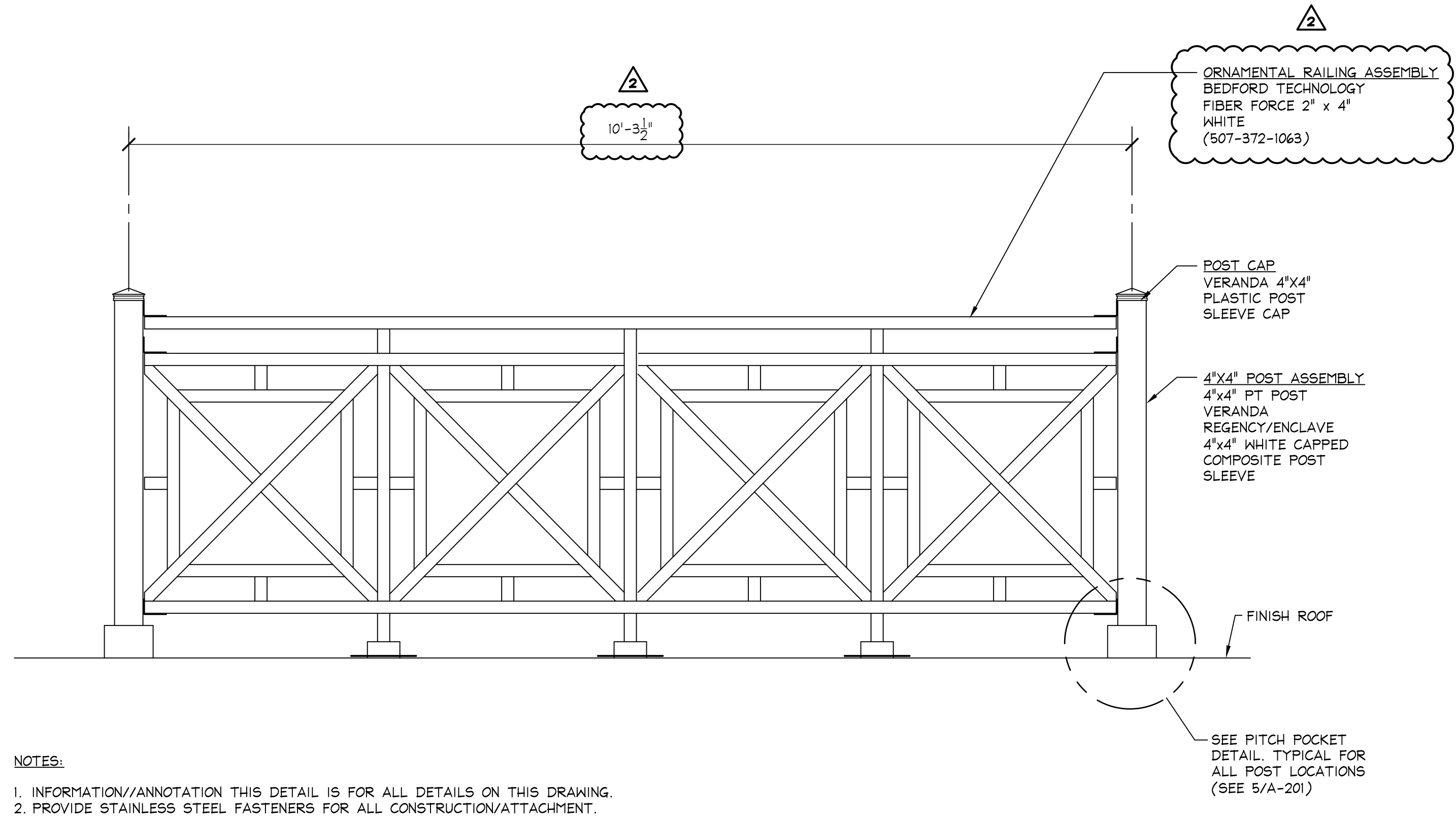


**PRELIMINARY**

NOT TO BE  
USED FOR  
CONSTRUCTION

REV	DESCRIPTION	DATE
A	CLIENT REVIEW	02/22/18
B	ISSUED FOR BIDDING	03/15/19
C	ISSUED WITH ADDENDUM No. 2	04/09/18

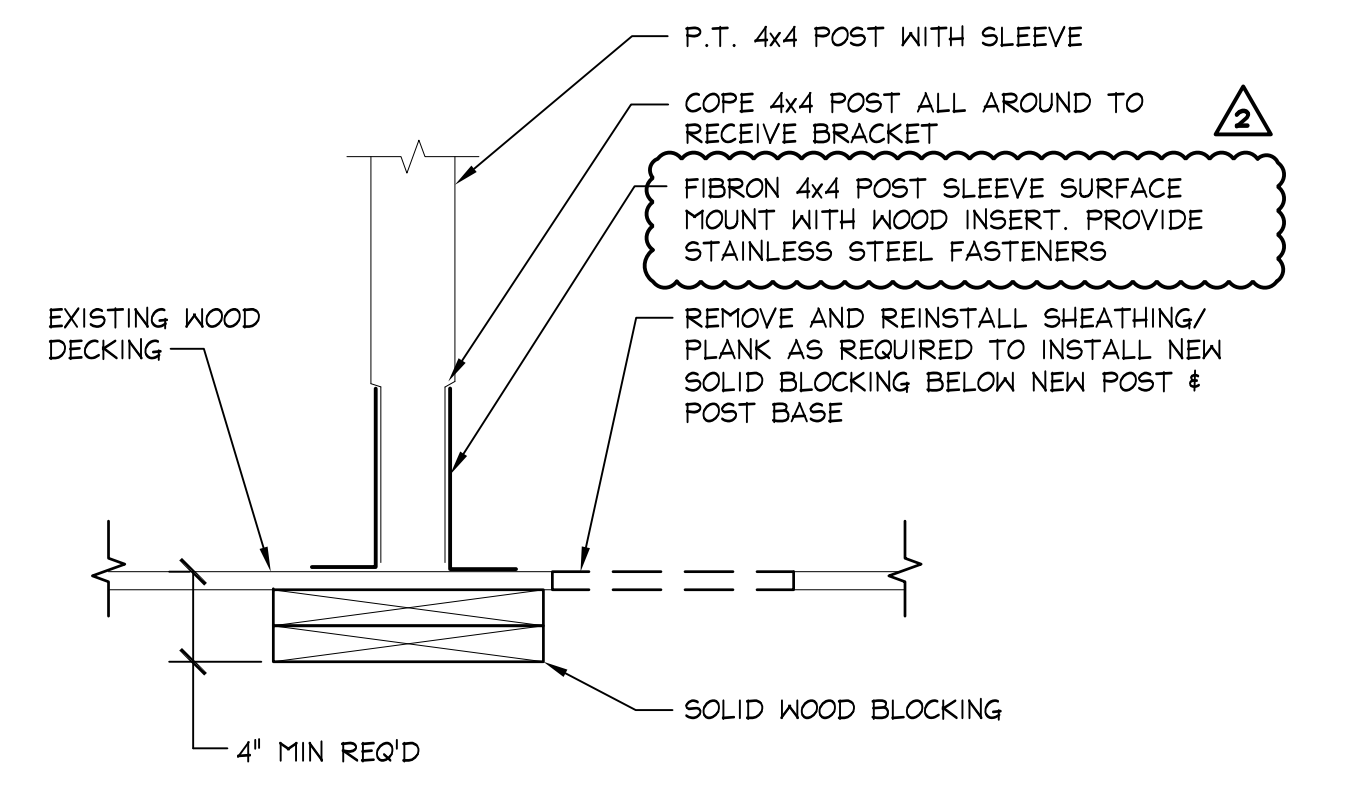
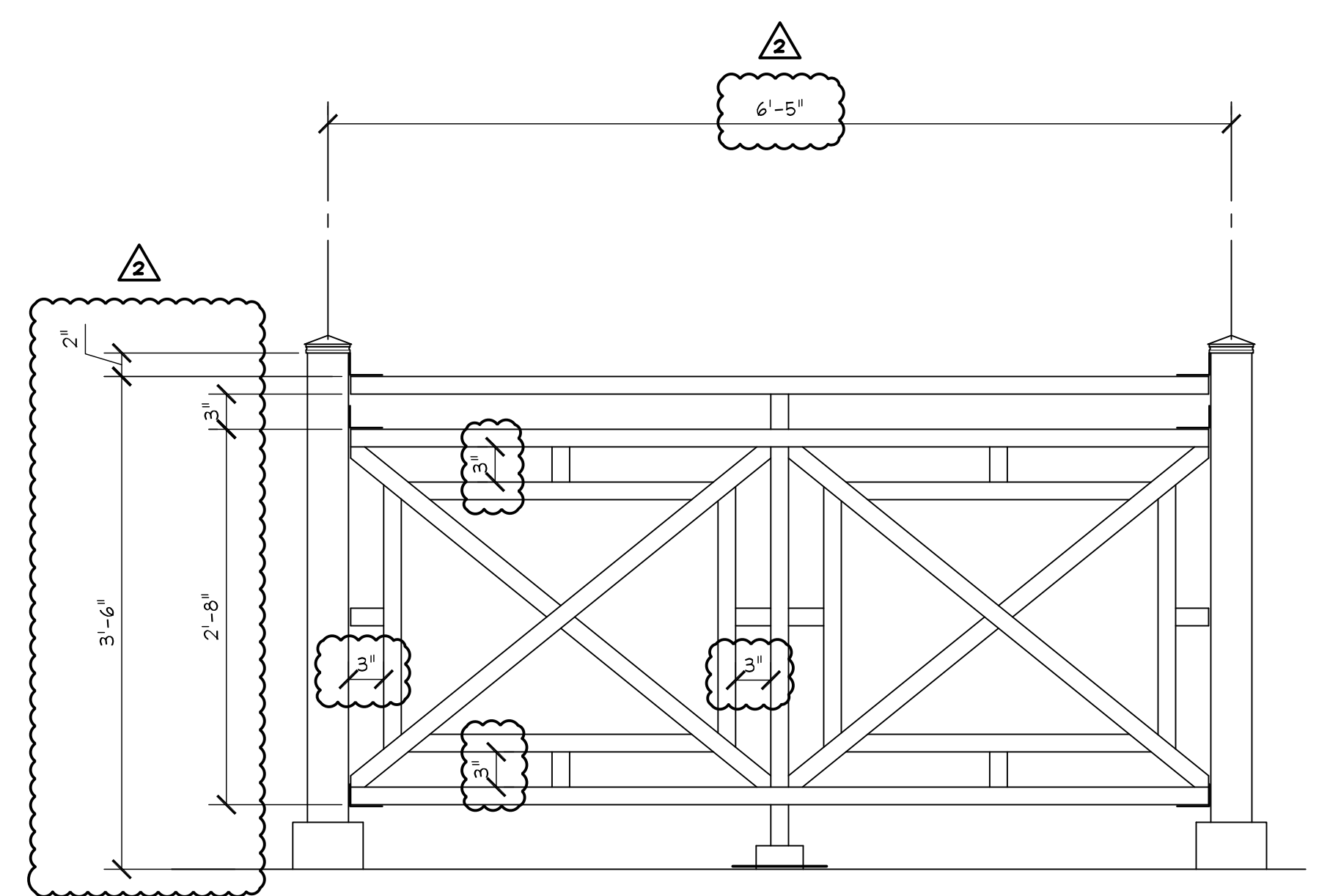
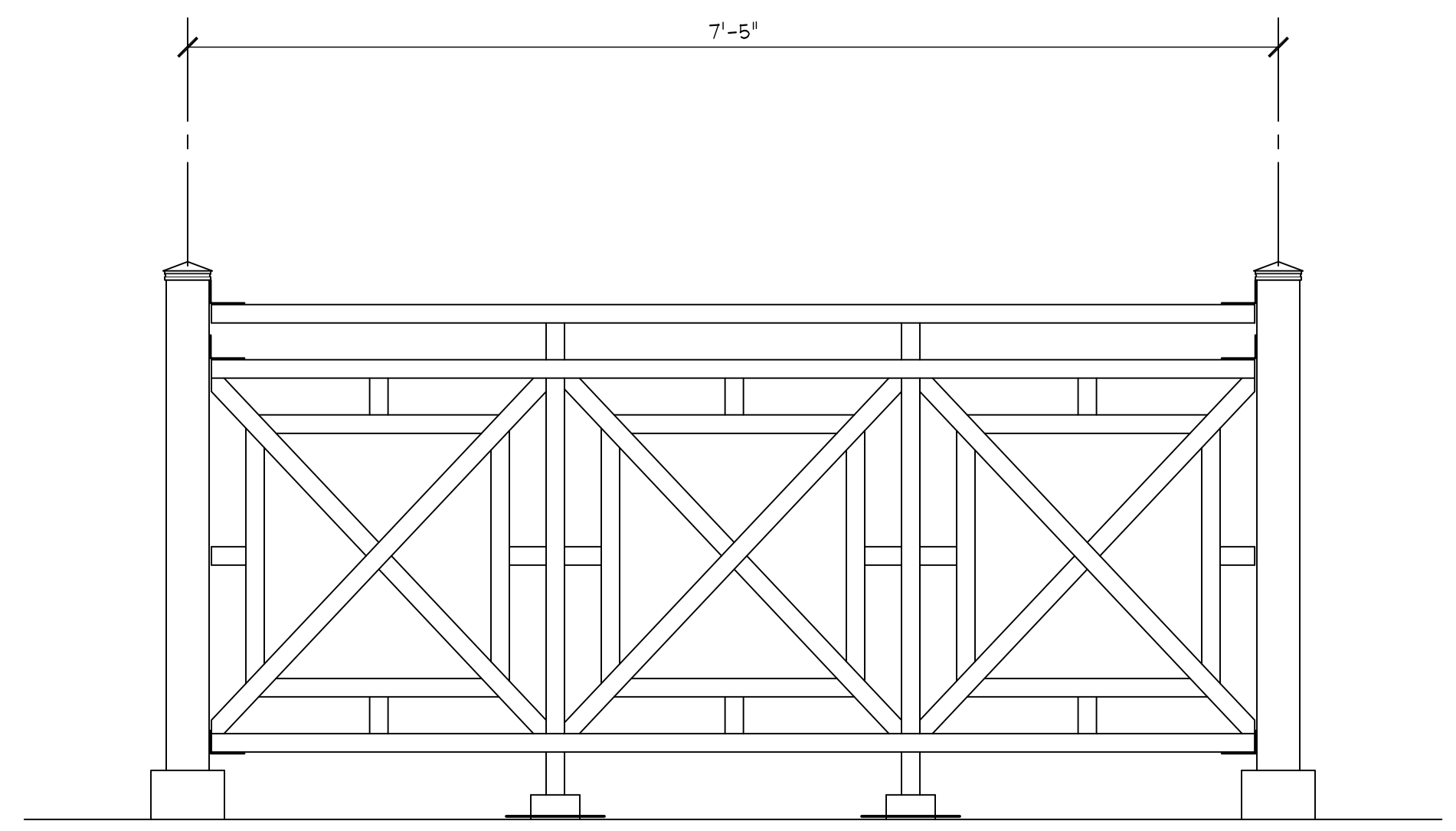
A COPY OF THE DATA IN THIS DRAWING FILE IS MAINTAINED AT THE OFFICES OF HILL ENGINEERS ARCHITECTS PLANNERS AND REVISION OF THIS DATA IS THE SOLE RESPONSIBILITY OF THE USER.



1 BALUSTRADE ELEVATION  
A-201 1"=1'-0" 0 1/2' 1' 2'

2 BALUSTRADE ELEVATION  
A-201 1"=1'-0" 0 1/2' 1' 2'

A-201 TYPICAL CONNECTION DETAIL  
6 N.T.S.



3 BALUSTRADE ELEVATION  
A-201 1"=1'-0" 0 1/2' 1' 2'

4 BALUSTRADE ELEVATION  
A-201 1"=1'-0" 0 1/2' 1' 2'

5 TYPICAL POST BASE ATTACHMENT DETAIL  
A-201 1-1/2"=1'-0" 0 1/2' 1' 1 1/2'

**TOWN OF LONGMEADOW**  
COMMUNITY HOUSE

736 LONGMEADOW STREET  
LONGMEADOW, MA

PROJECT DESCRIPTION  
DRAWING TITLE

**ROOF AND BALUSTRADE REPLACEMENT**

**BALUSTRADE ELEVATIONS AND DETAIL**

DRAWN BY: DB  
DATE DRAWN: 9-17-07  
SCALE: AS NOTED  
APV'D BY: JR

CAD CODE:  
TOL-7-011-A-201.dwg

GRAPHIC SCALE:

PROJECT NUMBER:  
TOL-7-011

DRAWING NUMBER: A-201  
REV: C