

**Hill**  
engineers  
architects  
planners

50 Depot Street  
Dalton, MA 01226  
(413) 684-0925

44 Spring Street  
Adams, MA 01220  
(413) 743-0013  
www.hillengineers.com

**PRELIMINARY**

NOT TO BE  
USED FOR  
CONSTRUCTION

| REV. | DESCRIPTION              | DATE     |
|------|--------------------------|----------|
| A    | ISSUED FOR CLIENT REVIEW | 04/09/21 |
| B    | ISSUED FOR BIDDING       | 05-03/21 |
| C    | ADDENDUM 1               |          |

PLOT DATE=5/3/2021 2:47:15 PM USER=MARIANNE KOLODZIEJ FILENAME=S:\CAD\Current\TOL09-008 GFC exterior door replacement\SETUP\DRAWINGS\CAD Files\TOL-109-008-A-101.dwg

1 PARTIAL FLOOR PLAN  
A-101 1/16"=1'-0" 0 8' 16' 32'

2 TYPICAL SECTION THROUGH DOOR  
A-101 1/2"=1'-0" 0 1' 2' 4'

3 PHOTOGRAPHS OF EXISTING TYPICAL DOOR  
A-101

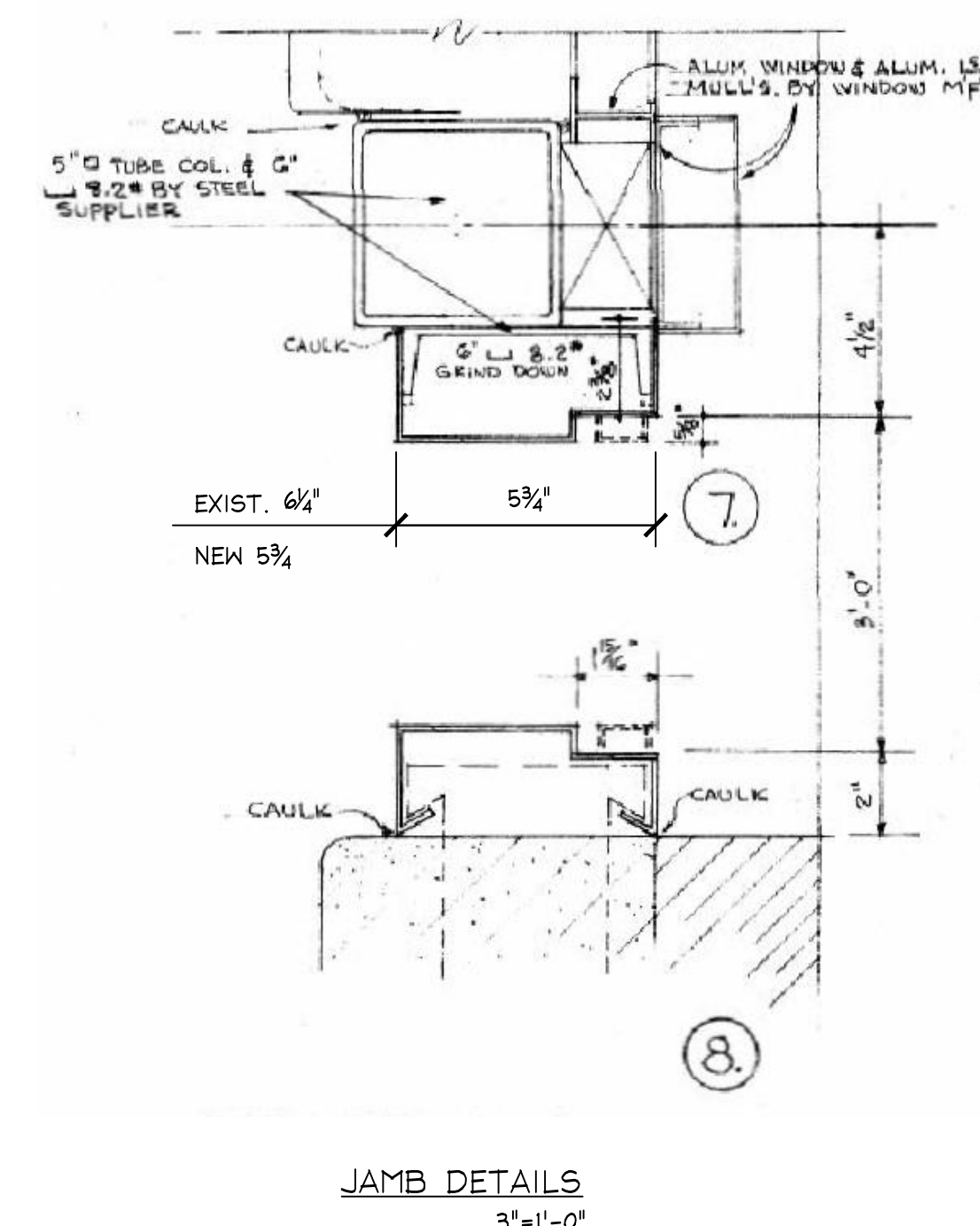
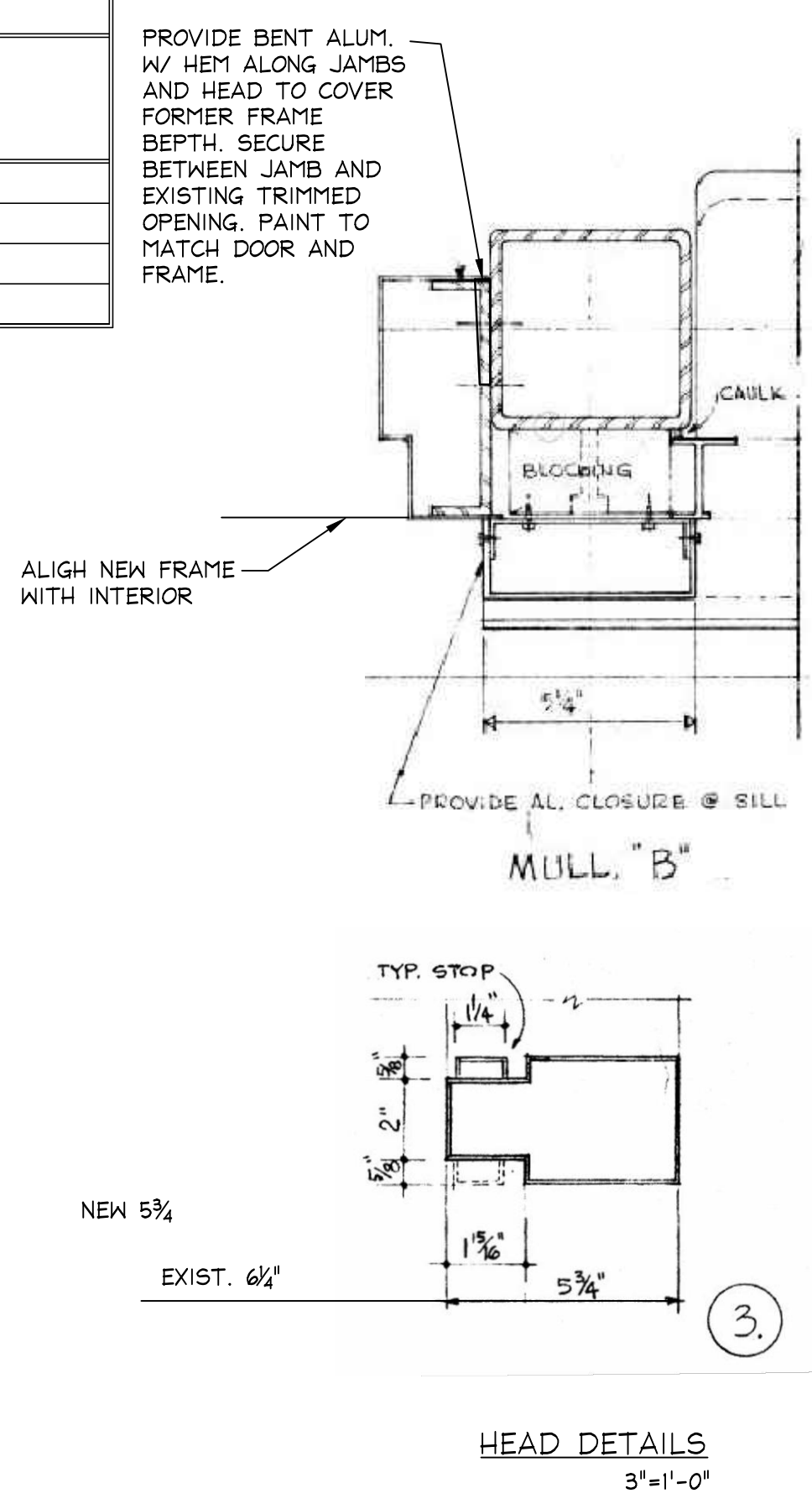
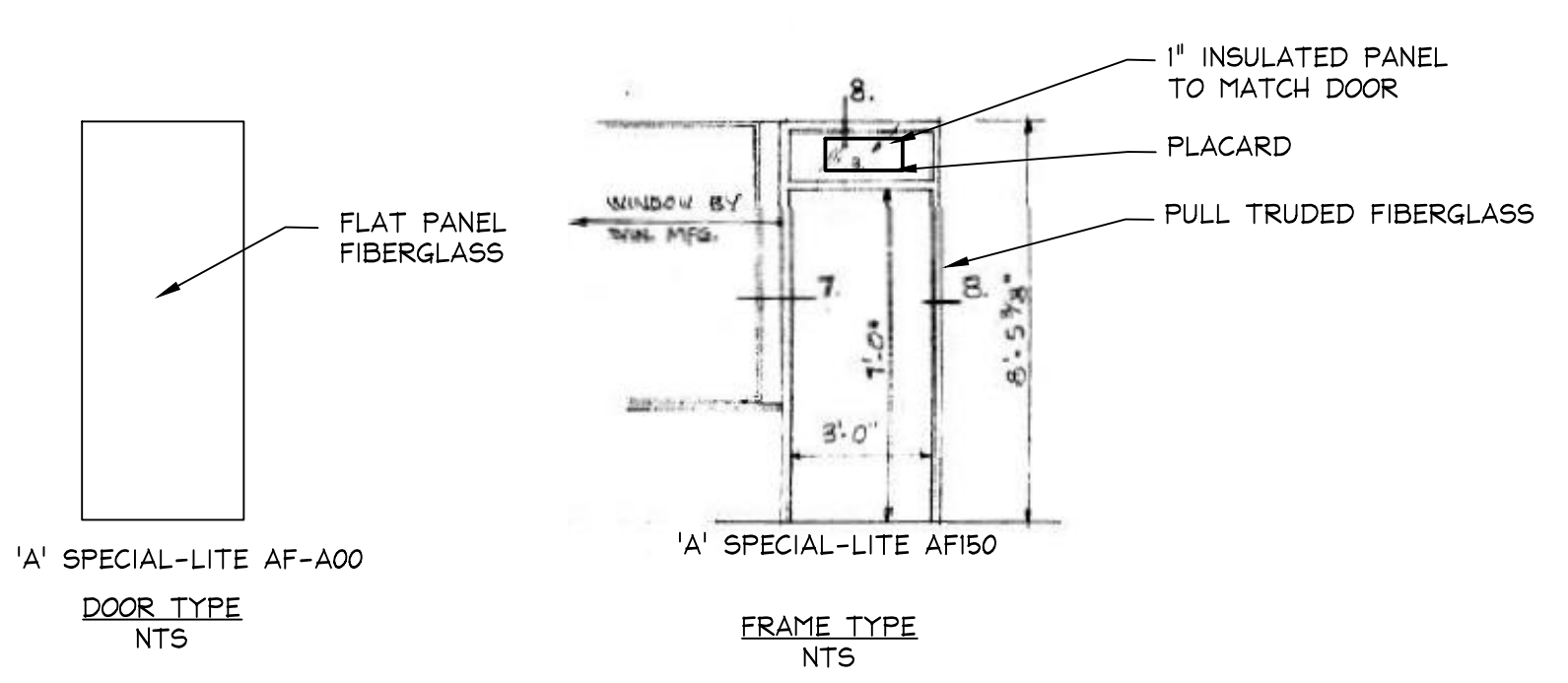
| DOOR & FRAME SCHEDULE |                  |       |        |               |      |           |          |                       |                             |      |       |           |             |      |       |           |       |         |   |              |   |         |
|-----------------------|------------------|-------|--------|---------------|------|-----------|----------|-----------------------|-----------------------------|------|-------|-----------|-------------|------|-------|-----------|-------|---------|---|--------------|---|---------|
| DOOR                  |                  |       |        | GLASS         |      |           |          | GLASS-PER ENERGY CODE |                             |      |       | LOUVER    |             |      |       | FRAME     |       |         |   | HARDWARE SET |   | REMARKS |
| NO.                   | ROOM DESIGNATION | MAT'L | THK.   | SIZE          | TYPE | EDGE DET. | MAX SHGC | MAX U-FACTOR          | MAX AIR LEAKAGE (CFM/SQ FT) | TYPE | MAT'L | EDGE DET. | FIRE RATING | TYPE | MAT'L | HEAD/JAMB | THRSH | PROFILE |   |              |   |         |
| 101                   | ROOM #1          | FG    | 1-3/4" | 3'-0" X 7'-0" | A    | TEMP      | X        | X                     | X                           | X    | -     | -         | -           | X    | A     | FG        | X     | X       | X | 2            | X |         |
| 102                   | ROOM #2          | FG    | 1-3/4" | 3'-0" X 7'-0" | A    | TEMP      | X        | X                     | X                           | X    | -     | -         | -           | X    | A     | FG        | X     | X       | X | 2            | X |         |
| 103                   | ROOM #3          | FG    | 1-3/4" | 3'-0" X 7'-0" | A    | TEMP      | X        | X                     | X                           | X    | -     | -         | -           | X    | A     | FG        | X     | X       | X | 1            | X |         |
| 104                   | ROOM #4          | FG    | 1-3/4" | 3'-0" X 7'-0" | A    | TEMP      | X        | X                     | X                           | X    | -     | -         | -           | X    | A     | FG        | X     | X       | X | 1            | X |         |

- ENERGY CODE NOTES:**
- MAX. SHGC AS PER TABLE C402.4 AND SECTION C402.4.3 OF IECC-2018 WITH MA AMENDMENTS.
  - MAX. U-FACTOR AS PER TABLE C402.4 AND SECTION C402.4.3 OF IECC-2018 WITH MA AMENDMENTS.
  - MAX. AIR LEAKAGE AS PER TABLE C402.5.2 OF IECC-2018 WITH MA AMENDMENTS.

- LEGEND**
- |      |                  |     |                              |
|------|------------------|-----|------------------------------|
| HM   | -HOLLOW METAL    | VT  | -VINYL THRESHOLD (REDUCER)   |
| WD   | -SOLID CORE WOOD | MT  | -METAL THRESHOLD (ANGLE BAR) |
| FG   | -FIBERGLASS      | ST  | -STONE THRESHOLD (MARBLE)    |
| IM   | -INSULATED METAL | MTL | -METAL (METAL CHANNEL)       |
| TEMP | -TEMPERED        |     |                              |
| ALUM | -ALUMINUM        |     |                              |
| GL   | -GLASS           |     |                              |

- HARDWARE SETS**
- ALL COMPONENTS TO MEET ACCESSIBILITY REQUIREMENTS PER THE MASSACHUSETTS ARCHITECTURAL ACCESS BOARD
- SET NO. 1**
- (1/2) PAIR BUTT HINGES, STAINLESS STEEL
  - (1) LOCKSET, LEVER HANDLES, INTERIOR: 626 FINISH (SATIN CHROME PLATED)
  - EXTERIOR: STAINLESS STEEL
  - (1) CLOSER, 626 SATIN CHROME
  - (1) KICKPLATE, 8" x 626 STAINLESS STEEL
  - (1) WEATHER STRIPPING
  - (1) THERMAL BROKEN ALUMINUM THRESHOLD 1/2" H MAX.
  - (1) 8"x8" PLACARD, PLASTIC ENGRAVED WITH 6" H CONTRASTING COLOR. COLOR SELECTED BY OWNER
  - (1) LOCK GUARD (FROM SALVAGE)
  - (1) MAGNETIC ALARM SENSOR (FROM SALVAGE)
- SET NO. 2**
- (1/2) PAIR BUTT HINGES, STAINLESS STEEL
  - (1) EXIT RIM DEVICE (VON DUPRIN)
  - INTERIOR: 626 FINISH (SATIN CHROME PLATED)
  - EXTERIOR: LEVER HANDLES, STAINLESS STEEL
  - (1) CLOSER, 626 SATIN CHROME
  - (1) KICKPLATE, 8" x 626 STAINLESS STEEL
  - (1) WEATHER STRIPPING
  - (1) THERMAL BROKEN ALUMINUM THRESHOLD 1/2" H MAX.
  - (1) 8"x8" PLACARD, PLASTIC ENGRAVED WITH 6" H CONTRASTING COLOR. COLOR SELECTED BY OWNER
  - (1) LOCK GUARD (FROM SALVAGE)
  - (1) MAGNETIC ALARM SENSOR (FROM SALVAGE)

- NOTES:**
- SALVAGE ALL DOOR HARDWARE REUSE THE FOLLOWING
    - LOCK GUARD
    - MAGNETIC ALARM SENSORS
  - REMAINING HARDWARE TO BE SURRENDERED TO THE OWNER.
  - FIELD PAINT DOOR, TRANSOM PANEL AND FRAME. COLORS TO MATCH EXISTING.



- NOTES:**
- DIAGRAMS ABOVE ARE EXCERPTS FROM THE ORIGINAL DESIGN DRAWINGS
  - PROVIDE AND CONCEAL ALARM WIRING IN FRAME TO THE MAGNETIC SENSORS.
  - CLEAN BRICK SURFACES THOROUGHLY TO REMOVE EXISTING CAULK AND PAINT PRIOR TO INSTALLATION OF NEW COMPONENTS.

3 DOOR SCHEDULE  
A-101 AS NOTED

**TOWN OF LONGMEADOW**  
GREENWOOD CENTER  
231 MAPLE ROAD, LONGMEADOW, MA 01106

PROJECT DESCRIPTION: EXTERIOR DOOR REPLACEMENT

DRAWING TITLE: FLOOR PLAN, DOOR SCHEDULE AND DETAILS

DRAWN BY: DB  
DATE DRAWN: 08/25/20  
SCALE: AS NOTED  
APV'D BY: \_\_\_\_\_

CAD CODE: TOL-9-008-A-101.dwg  
GRAPHIC SCALE: \_\_\_\_\_

PROJECT NUMBER: TOL-9-008

DRAWING NUMBER: A-101  
REV: C